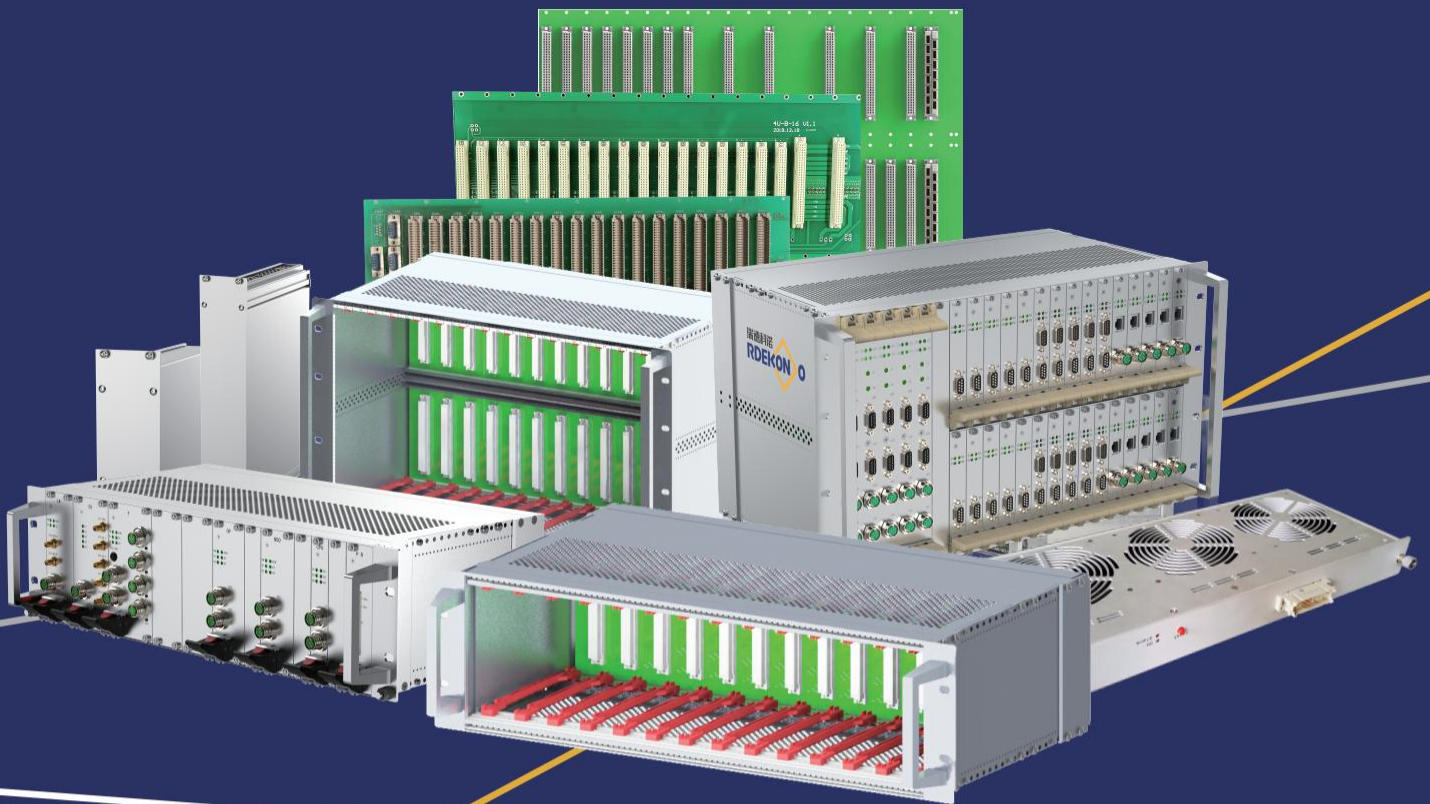


# SUBRACK

## Model Selection Manual for Subracks

BEIJING RDEKONO ELECTRONIC EQUIPMENT CO.,LTD

Responsibility and Innovation    Connection and protection





## Beijing RdeKono Electronic Equipment Beijing Rdekono Electronic Equipment co., Ltd



Beijing Rdekono Electronic Equipment Co., Ltd. is a scientific and technological enterprise engaged in products design and manufacturing, with national high-tech enterprise qualification and ISO TS22163 quality management system.

We have operation headquarters and R&D center in Beijing, a parts processing center in Cangzhou, and a complete equipment manufacturing center in Tianjin. Rdekono has a professional design team based on the complete equipment engineering technology. Rdekono has multiple technology integration design capabilities and focuses on the R&D of complete equipment system. Our technical scope includes usability design, structural design, heat dissipation design, electromagnetic shielding design, power distribution design, reliability protection design and other professional fields.

Our technical development concept is -profit users and save manufacturing cost. Through design innovative and advanced manufacturing technology, we can provide customers with complete services from product design, mechanical manufacturing to electrical and mechanical parts assembly. Rdekono is committed to helping our customers improve product competitiveness and reduce development and production costs, shorten the development cycle, and achieve market goals fast.

**Mission:** Integration of innovation, excellence, development and manufacturing of competitive products.

**Enterprise vision:** TO become a first-class electronic mechanical structure solution supplier.

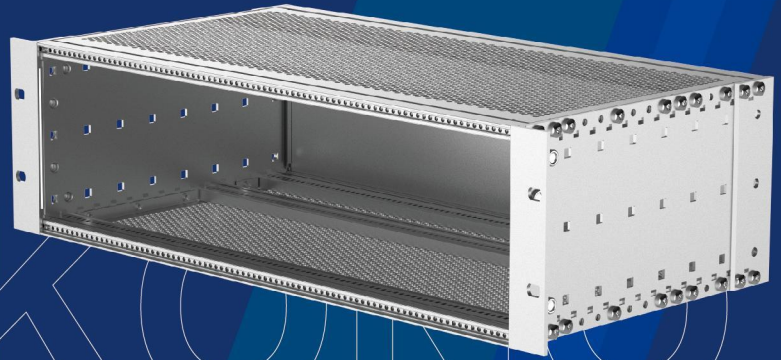
**Core values:** Achieve cus TO mer value, improve employee welfare, return TO all shareholders.

RDEKONO





- BEK&BEG PRO Series Subracks ····· 1~14
  - BEK&BEG PRO Series Subracks Brief Introduction ····· 1~2
  - BEK PRO Economy Series Subracks ····· 3~4
  - BEG PRO Rugged Series Subracks ····· 5~6
  - BEK&BEG Series Subracks Front horizontal Rail ····· 7
  - BEK&BEG Series Subracks Rear horizontal Rail ····· 8
  - BEK&BEG Series Subracks Middle rails ····· 9
  - BEK&BEG Series Subracks Front and Rear Rail ····· 10
  - BEK&BEG Series Subracks Side panel type F ····· 11~12
  - BEK&BEG Series Subracks Side panel type L ····· 13
  - BEK&BEG Series Subracks Side panel type H ····· 13
  - BEK&BEG Series Subracks Side panel type R ····· 14



## Standards/certifications

Inner and outer dimensions meet: IEC 60297-3-101, IEC 60297-3-102, IEC 60297-3-103, IEEE 1101.1 and IEEE 1101.10/11

Type of protection IP20 in accordance with IEC 60529

EMC testing to IEC 61587-3

Shock and vibration test reports: German "Bahn" standards BN 411002, BN 411003; NF F 60002, NF F 67012

IEC 61587-2, EN 50155, part 12.2.11

## Customized service

Customize the side panel of the Subracks

Panel and panel opening, screen printing

### BEK&BEG PRO Series Subracks introduction

BEK&BEG PRO series Subracks is a series of Subracks products developed by **RDEKON** for the application of the 19" standard Subracks. After years of practical application shows that the BEK&BEG PRO series Subracks has stable performance, solid structure and meets all the requirements of the 19" standard size and application. At the same time, the BEK&BEG PRO series Subracks has the characteristics of high cost performance, rich components, flexible configuration and so on, which can meet the use requirements to the greatest extent

### BEK&BEG PRO Series Subracks introduction

BEK&BEG PRO series Subracks is widely used in all kinds of standard electronic equipment and user-defined electronic systems, can be used to build CompactPCI, VME, VME64, PXI and other systems, can also be used as a general electronic plug-in box

### RDEKON PRO 3/6U Subrack(Railway Applications)

- Unshielded and shielded versions NFF61005/60002
- Unshielded and shielded versions EN50155 subrack
- Shielded versions for CompactPCI applications



## 19 "Subrack Subracks

- Shock and vibration resistant to IEC 61587-2, EN 50155, NFF 67012/NF F 60002, German railway standards BN 411002/411003
- IEC 60297-3-101, IEC 60297-3-102, IEC 60297-3-103, IEEE 1101.1 and IEEE 1101.10/11 compatible
- Designed for extractor handles to IEEE 1101.10/11 and IEC 60297-3-103 for CompactPCI and VME 64x application
- EMC shielding easily retrofittable if needed

### RDEKON PRO 3/6U Subrack(Kits)

- Unshielded and shielded versions
- Shielded versions for CompactPCI applications

### BEK&BEG PRO Series Subracks Features

- **RDEKON** 19" Subrack subrack, manufactured by advanced technology
- BEK&BEG PRO series products meet the 19" standard, easy to assemble (Refer to the company's 19" standard summary manual for details). Fully reflected the standardization, module The characteristics and advantages of chemical and serialization.
- All series of products adopt universal standard parts combination, reflecting a high degree of flexibility, customers can according to the specific needs of the general standard parts or customized product vibration, impact test standards: according to IEC61587-1, NE50155, BN411002, NF F67012, NF F67002 test
- Complies with IEEE 1101.1 standard
- Can be used to build CompactPCI.VME, VME64 system platform
- The Subracks have good electromagnetic shielding performance

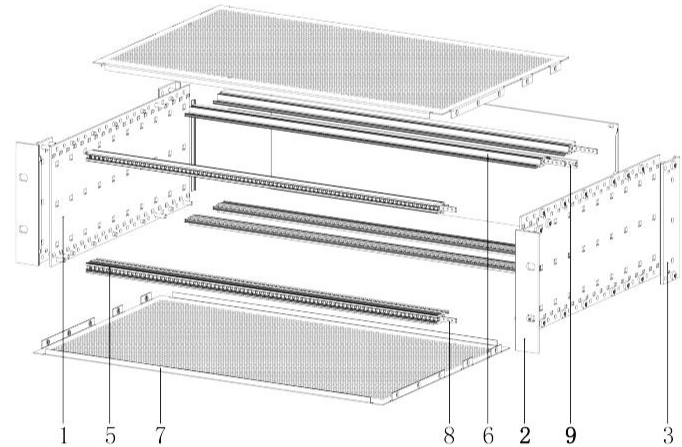


# BEK PRO Economy Series Subracks



3U/4U

- Subrack Shielding case (CompactPCI) · Light beam, Can better reduce the weight, bearing performance unchanged
- Suitable for CompactPCI and VME64x insertion and extractor handles
- Rear horizontal rail for backplane mounting with insulation strip; For applications that install backplanes or connectors, Horizontal rails, rear, for connector mounting (IEC 60603-2 / DIN 41612)
- Typical shielding 40dB at 1 GHz, 30 dB at 2GHz (as to VG 95373 ,part15), on condition that the front is sealed with shielded front panels
- For real I/O application



### Delivery Comprises (kit)

Item	Name	Qty	Model
1	Side panel	2	/
2	Front bracket	2	/
3	Rear bracket	2	/
4	Handle	2	Choice
5	Front rails	4	/
6	Rear rails	2	/
7	Cover plate	2	/

Item	Name	Qty	Model
8	Threaded insert	6	/
9	Insulation strip	2	/
10	Perforated strip	2	/
11	EMC gasket (Front rails)	4	Choice
12	EMC gasket (Front bracket)	3	Choice
13	EMC gasket (Cover plate)	4	Choice
14	Screw installation package	1	/

### Order information

Height	Width	Depth	Model	Order no
3U	42TE	245	Perforated	5342-2451
3U	42TE	245	Without holes	5342-2450
3U	42TE	285	Perforated	5342-2851
3U	42TE	285	Without holes	5342-2850
3U	42TE	345	Perforated	5342-3451
3U	42TE	345	Without holes	5342-3450
3U	63TE	245	Perforated	5363-2451
3U	63TE	245	Without holes	5363-2450
3U	63TE	285	Perforated	5363-2851
3U	63TE	285	Without holes	5363-2850
3U	63TE	345	Perforated	5363-3451
3U	63TE	345	Without holes	5363-3450
3U	84TE	245	Perforated	5384-2451
3U	84TE	245	Without holes	5384-2450
3U	84TE	285	Perforated	5384-2851
3U	84TE	285	Without holes	5384-2850
3U	84TE	345	Perforated	5384-3451
3U	84TE	345	Without holes	5384-3450

Height	Width	Depth	Model	Material No
4U	42TE	245	Perforated	5442-2451
4U	42TE	245	Without holes	5442-2450
4U	42TE	285	Perforated	5442-2851
4U	42TE	285	Without holes	5442-2850
4U	42TE	345	Perforated	5442-3451
4U	42TE	345	Without holes	5442-3450
4U	63TE	245	Perforated	5463-2451
4U	63TE	245	Without holes	5463-2450
4U	63TE	285	Perforated	5463-2851
4U	63TE	285	Without holes	5463-2850
4U	63TE	345	Perforated	5463-3451
4U	63TE	345	Without holes	5463-3450
4U	84TE	245	Perforated	5484-2451
4U	84TE	245	Without holes	5484-2450
4U	84TE	285	Perforated	5484-2851
4U	84TE	285	Without holes	5484-2850
4U	84TE	345	Perforated	5484-3451
4U	84TE	345	Without holes	5484-3450

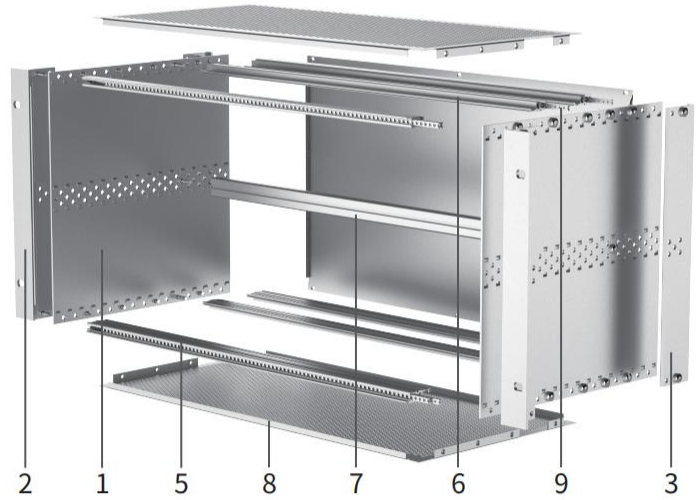
- BEK PRO Economy Series Subracks
- EK&EG PRO Series Subracks
- EK&EG+ PRO Series Subracks
- BEK&BEG PRO Series Subracks
- Handle specification and accessories
- Guide rail specification and accessories
- 19"CUR Series Subracks
- SNCF Series Subracks
- Shielded plug-in units Series Subracks
- VERO Series Subracks
- Protective Series Subracks
- CASE Series Subracks
- Type A Series Subracks
- Rugged Subracks Side panel
- IN-S Series Subracks
- Subracks Accessories
- Panel component
- Order no. and page Table

# BEK PRO Economy Series Subracks



6U

- Subrack Shielding case (CompactPCI) · Light beam, Can better reduce the weight, bearing performance unchanged
- Suitable for CompactPCI and VME64x insertion and extractor handles
- Rear horizontal rail for backplane mounting with insulation strip; For applications that install backplanes or connectors, Horizontal rails, rear, for connector mounting (IEC 60603-2 / DIN 41612)
- Typical shielding 40dB at 1 GHz, 30 dB at 2GHz (as to VG 95373 ,part15), on condition that the front is sealed with shielded front panels
- For real I/O application



### Delivery Comprises(kit)

Item	Name	Qty	Model
1	Side panel	2	/
2	Front bracket	2	/
3	Rear bracket	2	/
4	Handle	2	Choice
5	Front rails	4	/
6	Rear rails	2	/
7	Middle rails	1	/
8	Cover plate	2	/

Item	Name	Qty	Model
9	Threaded insert	8	/
10	Perforated strip	4	/
11	Insulation strip	4	/
12	EMC gasket (Front rails)	4	Choice
13	EMC gasket (Front bracket)	3	Choice
14	EMC gasket (Cover plate)	4	Choice
15	Screw installation package	1	/

### Order information

Height	Width	Depth	Model	Material No
6U	42TE	245	Perforated	5642-2451
6U	42TE	245	Without holes	5642-2450
6U	42TE	285	Perforated	5642-2851
6U	42TE	285	Without holes	5642-2850
6U	42TE	345	Perforated	5642-3451
6U	42TE	345	Without holes	5642-3450
6U	63TE	245	Perforated	5663-2451
6U	63TE	245	Without holes	5663-2450
6U	63TE	285	Perforated	5663-2851
6U	63TE	285	Without holes	5663-2850
6U	63TE	345	Perforated	5663-3451
6U	63TE	345	Without holes	5663-3450
6U	84TE	245	Perforated	5684-2451
6U	84TE	245	Without holes	5684-2450
6U	84TE	285	Perforated	5684-2851
6U	84TE	285	Without holes	5684-2850
6U	84TE	345	Perforated	5684-3451
6U	84TE	345	Without holes	5684-3450

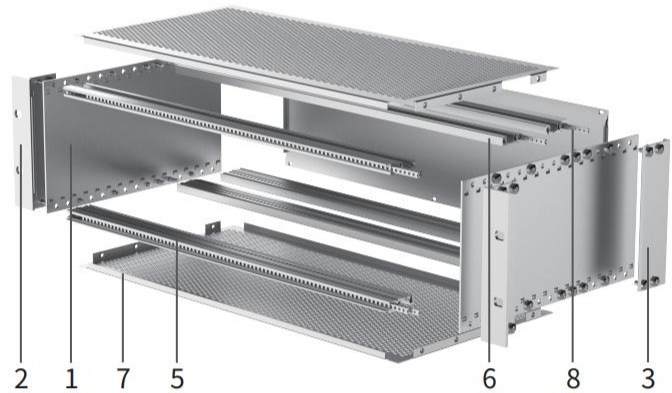


# BEG PRO Rugged Series Subracks



3U/4U

- Subrack Shielding case (CompactPCI) · Heavy beam, Provide better load-bearing performance
- Suitable for CompactPCI and VME64x insertion and extractor handles
- Rear horizontal rail for backplane mounting with insulation strip; For applications that install backplanes or connectors, Horizontal rails, rear, for connector mounting (IEC 60603-2 / DIN 41612)
- Typical shielding 40dB at 1 GHz, 30 dB at 2GHz (as to VG 95373 ,part15), on condition that the front is sealed with shielded front panels
- For real I/O application



### Delivery Comprises(kit)

Item	Name	Qty	Model
1	Side panel	2	/
2	Front bracket	2	/
3	Rear bracket	2	/
4	Handle	2	Choice
5	Front rails	4	/
6	Rear rails	2	/
7	Cover plate	2	/

Item	Name	Qty	Model
8	Threaded insert	6	/
9	Perforated strip	2	/
10	Insulation strip	2	/
11	EMC gasket (Front rails)	4	Choice
12	EMC gasket (Front bracket)	3	Choice
13	EMC gasket (Cover plate)	4	Choice
14	Screw installation package	1	/

### Order information

Height	Width	Depth	Model	Order no
3U	42TE	245	Perforated	6342-2451
3U	42TE	245	Without holes	6342-2450
3U	42TE	285	Perforated	6342-2851
3U	42TE	285	Without holes	6342-2850
3U	42TE	345	Perforated	6342-3451
3U	42TE	345	Without holes	6342-3450
3U	63TE	245	Perforated	6363-2451
3U	63TE	245	Without holes	6363-2450
3U	63TE	285	Perforated	6363-2851
3U	63TE	285	Without holes	6363-2850
3U	63TE	345	Perforated	6363-3451
3U	63TE	345	Without holes	6363-3450
3U	84TE	245	Perforated	6384-2451
3U	84TE	245	Without holes	6384-2450
3U	84TE	285	Perforated	6384-2851
3U	84TE	285	Without holes	6384-2850
3U	84TE	345	Perforated	6384-3451
3U	84TE	345	Without holes	6384-3450

Height	Width	Depth	Model	Order no
4U	42TE	245	Perforated	6442-2451
4U	42TE	245	Without holes	6442-2450
4U	42TE	285	Perforated	6442-2851
4U	42TE	285	Without holes	6442-2850
4U	42TE	345	Perforated	6442-3451
4U	42TE	345	Without holes	6442-3450
4U	63TE	245	Perforated	6463-2451
4U	63TE	245	Without holes	6463-2450
4U	63TE	285	Perforated	6463-2851
4U	63TE	285	Without holes	6463-2850
4U	63TE	345	Perforated	6463-3451
4U	63TE	345	Without holes	6463-3450
4U	84TE	245	Perforated	6484-2451
4U	84TE	245	Without holes	6484-2450
4U	84TE	285	Perforated	6484-2851
4U	84TE	285	Without holes	6484-2850
4U	84TE	345	Perforated	6484-3451
4U	84TE	345	Without holes	6484-3450

EK&BEG PRO Series Subracks

EK&BEG+PRO Series Subracks

BEG&BEG PRO Series Subracks

Handle specification and accessories

Guide-rail specification and accessories

19" CUR Series Subracks

SNCF Series Subracks

Shielded plug-in units Series Subracks

VERO Series Subracks

Protective Series Subracks

CASE Series Subracks

Type A Series Subracks

Rugged Subracks Side panel

IN-S Series Subracks

Subracks Accessories

Panel component

Order no. and page Table



# BEG PRO Rugged Series Subracks

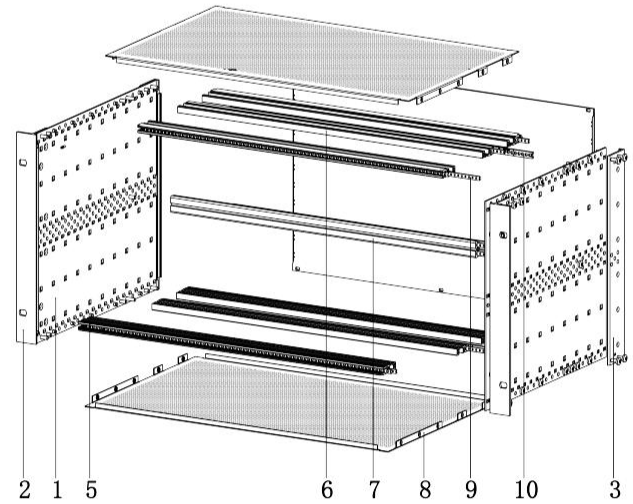


6U

- Subrack Shielding case (CompactPCI) · Heavy beam, Provide better load-bearing performance
- Suitable for CompactPCI and VME64x insertion and extractor handles
- Rear horizontal rail for backplane mounting with insulation strip; For applications that install backplanes or connectors, Horizontal rails, rear, for connector mounting (IEC 60603-2 / DIN 41612)
- Typical shielding 40dB at 1 GHz, 30 dB at 2GHz (as to VG 95373 ,part15), on condition that the front is sealed with shielded front panels
- For real I/O application

### Delivery Comprises(kit)

Item	Name	Qty	Model
1	Side panel	2	/
2	Front bracket	2	/
3	Rear bracket	2	/
4	Handle	2	Choice
5	Front rails	4	/
6	Rear rails	2	/
7	Middle rails	1	/
8	Cover plate	2	/



Item	Name	Qty	Model
9	Threaded insert	8	/
10	Insulation strip	4	/
11	Perforated strip	4	/
12	EMC gasket (Front rails)	4	Choice
13	EMC gasket (Front bracket)	3	Choice
14	EMC gasket (Cover plate)	4	Choice
15	Screw installation package	1	/

### Order information

Height	Width	Depth	Model	Material No
6U	42TE	245	Perforated	6642-2451
6U	42TE	245	Without holes	6642-2450
6U	42TE	285	Perforated	6642-2851
6U	42TE	285	Without holes	6642-2850
6U	42TE	345	Perforated	6642-3451
6U	42TE	345	Without holes	6642-3450
6U	63TE	245	Perforated	6663-2451
6U	63TE	245	Without holes	6663-2450
6U	63TE	285	Perforated	6663-2851
6U	63TE	285	Without holes	6663-2850
6U	63TE	345	Perforated	6663-3451
6U	63TE	345	Without holes	6663-3450
6U	84TE	245	Perforated	6684-2451
6U	84TE	245	Without holes	6684-2450
6U	84TE	285	Perforated	6684-2851
6U	84TE	285	Without holes	6684-2850
6U	84TE	345	Perforated	6684-3451
6U	84TE	345	Without holes	6684-3450

# BEK&BEG PRO Series Subracks Front horizontal Rail



## Front horizontal Rail

### Order information



**Heavy Type-BEG Short Lip**

Installing a midplane



**Light Type-BEK Short Lip**

Installing a midplane



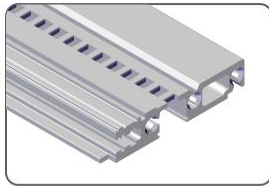
**BEG-Long Lip**

For plug-in units with IEEE handle  
For CompactPCI, VME64x systems

Model	Order no	Order no	Order no
42TE	009024201	009014203	009024203
63TE	009026301	009016303	009026304
84TE	009028401	009018409	009028403
104TE	0090210401	0090110401	0090210405

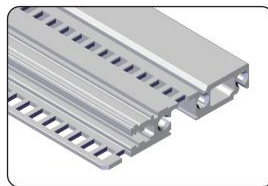
Cross Rails setting  
screw M4×12

1004057



**Rugged Short Lip**

Installing a midplane



**Rugged Long Lip**

Installing a midplane

Model	Order no	Order no
42TE	009034201	009034202
63TE	009036301	009036302
84TE	009038401	009038402
104TE	0090310401	0090310402

EK&EG PRO Series Subracks  
 EK+EG+ PRO Series Subracks  
 BEK&BEG PRO Series Subracks  
 Handle specification and accessories  
 Guide rail specification and accessories  
 19" CUR Series Subracks  
 SNCF Series Subracks  
 Shielded plug-in units Series Subracks  
 VERO Series Subracks  
 Protective Series Subracks  
 CASE Series Subracks  
 Type A Series Subracks  
 Rugged Subracks Side panel  
 IN-S Series Subracks  
 Subracks Accessories  
 Panel component  
 Order no. and page Table



# BEK&BEG PRO Series Subracks Rear horizontal Rail



## Rear horizontal Rail

### Order information



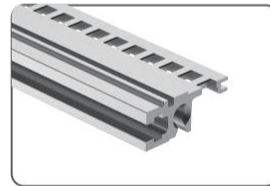
**Heavy Type-BEG**

For indirect mounting of backplanes via insulation strip, order insulation strip separately



**Heavy Type-BEG-Z**

For direct backplane assembly



**LigheType-BEK**

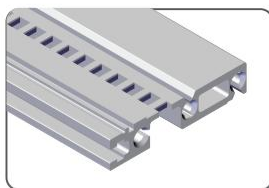
For indirect mounting of backplanes via insulation strip, order insulation strip separately



**LigheType-BEK-Z**

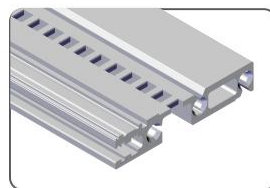
For direct backplane assembly

Model	Order no	Order no	Order no	Order no
42TE	009024204	009024202	009014202	009114202
63TE	009026302	009026303	009116301	009116302
84TE	009028402	009028404	009018402	009018403
104TE	0090210402	0090210403	0090110402	0090110403



**Rugged Horizontal Rail**

For indirect mounting of backplanes via insulation strip, order insulation strip separately



**Rugged Horizontal Rail-Z**

For direct backplane assembly



**BEK With integral Z rail Rear rails**

For direct mounting of connectors according to EN60603-2(DIN60297)



**BEG With integral Z rail Rear rails**

For direct mounting of connectors according to EN60603-2(DIN60297)

Model	Order no	Order no	Order no	Order no
42TE	009034203	009034204	009014205	009024205
63TE	009036303	009036304	009016304	009026305
84TE	009038403	009038404	009018404	009028405
104TE	0090310403	0090310404	0090110404	0090210404

# BEK&BEG PRO Series Subracks Middle rails



## Middle rails

### Order information



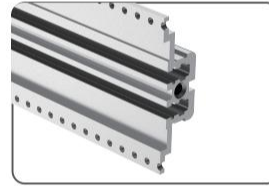
#### Light Type BEK Middle Rail

For indirect mounting of backplanes via insulation strip, order insulation strip separately



#### Light Type BEK-Z Middle Rail

For direct backplane assembly



#### BEK With integral Z rail Middle rails

For direct mounting of connectors according to EN60603-2(DIN60297)

Model	Order no	Order no	Order no
42TE	009014208	009014207	009014209
63TE	009016308	009016307	009016309
84TE	009018408	009018407	009018405
104TE	0090110408	0090110407	0090110409

EK&EG PRO Series Subracks
EK&EG+ PRO Series Subracks
BEK&BEG PRO Series Subracks
Handle specification and accessories
Guide rail specification and accessories
19"CUR Series Subracks
SNCF Series Subracks
Shielded plug-in units Series Subracks
VERO Series Subracks
Protective Series Subracks
CASE Series Subracks
Type A Series Subracks
Rugged Subracks Side panel
IN-S Series Subracks
Subracks Accessories
Panel component
Order no. and page Table



# BEK&BEG PRO Series Subracks Front and Rear Rail



## Front and Rear Rail

### Order information



#### Front and Rear Rail

For CompactPCI at rear/O-area  
and 3,6U assembly

Model	Order no
42TE	009014206
63TE	009016306
84TE	009018406
104TE	0090110406

# BEK&BEG PRO Series Subracks Side panel type F



## Side panel type F

### Order information

Height U	Depth mm	Side panel type F	19"bracket without handle holes	19"bracket with handle holes	19"bracket depth-adjustable	Wall-mounting bracket	Rear angle for stainless steel gasket	EMC stainless steel gasket
3	175	01131750						
3	235	01132350						
3	295	01132950	01131751	01131752	01131753	01131754	01131755	1008007
3	355	01133550						
3	415	01134150						
4	175	01141750						
4	235	01142350						
4	295	01142950	01141751	01141752	01141753	01141754	01141755	1008008
4	355	01143550						
4	415	01144150						
5	175	01151750						
5	235	01152350						
5	295	01152950	01151751	01151752	01151753	01151754	01151755	-
5	355	01153550						
5	415	01154150						
6	175	01161750						
6	235	01162350						
6	295	01162950	01161751	01161752	01161753	01161754	01161755	1008009
6	355	01163550						
6	415	01164150						
9	175	01191750						
9	235	01192350						
9	295	01192950	01191751	01191752	01191753	01191754	01191755	-
9	355	01193550						
9	415	01194150						
Screw, M4*14		1004229	1004229	1004229	1004229	-	1004229	-

### Note :

- CompactPCI
- VME64x
- Grid holes of side panel 3 + 1 U
- Grid holes of side panel 1+3+1U



# BEK&BEG PRO Series Subracks

## Side panel type F



### Side panel type F

#### Order information

Height U	Depth mm	Side panel type F	19"bracket without handle holes	19"bracket with handle holes	19"bracket depth-adjustable	Wall-mounting bracket	Rear angle for stainless steel gasket	EMC textile gasket
3	175	01131750						
3	235	01132350						
3	295	01132950	02131751	02131752	01131753	01131754	02131755	1008037
3	355	01133550						
3	415	01134150						
4	175	01141750						
4	235	01142350						
4	295	01142950	02141751	02141752	01141753	01141754	02141755	1008045
4	355	01143550						
4	415	01144150						
5	175	01151750						
5	235	01152350						
5	295	01152950	02151751	02151752	01151753	01151754	02151755	1008053
5	355	01153550						
5	415	01154150						
6	175	01161750						
6	235	01162350						
6	295	01162950	02161751	02161752	01161753	01161754	02161755	1008038
6	355	01163550						
6	415	01164150						
9	175	01191750						
9	235	01192350						
9	295	01192950	02191751	02191752	01191753	01191754	02191755	1008054
9	355	01193550						
9	415	01194150						
Screw, M4*14		1004229	1004229	1004229	1004229	-	1004229	-

#### Note :

- CompactPCI
- VME64x
- Grid holes of side panel 3 U+ 1 U
- Grid holes of side panel 1U+3U+1U

# BEK&BEG PRO Series Subracks Side panel type F&H



## Side panel type F&H

### Order information

Height U	Depth mm	Side panel type L	Front cover for type L
3	175	01231756	02231756
3	235	01232356	
3	295	01232956	
6	175	01261756	02261756
6	235	01262356	
6	295	01262956	
Screw, M4*14		1004229	-

## Side panel type H

### Order information

Height U	Depth mm	Type H without handle holes	Type H with handle holes	EMC stainless steel gasket	Height U	Depth mm	Type H without handle holes	Type H with handle holes	EMC textile gasket
3	175	01331757	01331758	1008007	3	175	02331757	02331758	1008037
3	235	01332357	01332358		3	235	02332357	02332358	
3	295	01332957	01332958		3	295	02332957	02332958	
3	355	01333557	01333558		3	355	02333557	02333558	
6	175	01361757	01361758	1008009	6	175	02361757	02361758	1008038
6	235	01362357	01362358		6	235	02362357	02362358	
6	295	01362957	01362958		6	295	02362957	02362958	
6	355	01363557	01363558		6	355	02363557	02363558	
Screw, M4*14		1004229	1004229	-	Screw, M4*14		1004229	1004229	-

### Note :

- Beam fixing screws need to be ordered separately

EK&EG PRO Series Subracks
EK&EG+ PRO Series Subracks
BEK&BEG PRO Series Subracks
Handle specification and accessories
Guide rail specification and accessories
19"CUR Series Subracks
SNCF Series Subracks
Shielded plug-in units Series Subracks
VERO Series Subracks
Protective Series Subracks
CASE Series Subracks
Type A Series Subracks
Rugged Subracks Side panel
IN-S Series Subracks
Subracks Accessories
Panel component
Order no. and page Table



# BEK&BEG PRO Series Subracks

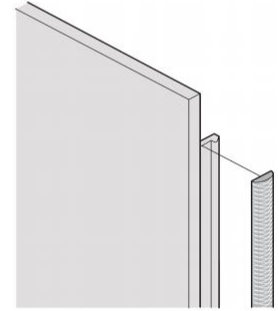
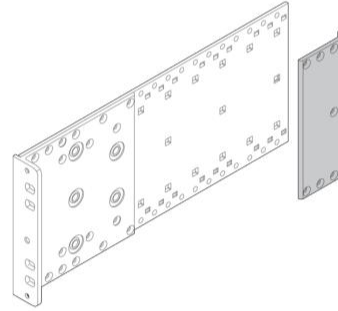
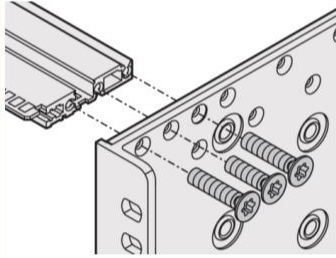
## Side panel type R



### Side panel type R


#### Order information

Height U	Depth mm	Side panel type F	Rear angle for stainless steel gasket	EMC textile gasket
3	175	02431752		
3	235	02432352		
3	295	02432952	02431752	1008037
3	355	02433552		
3	415	02434152		
6	175	02461752		
6	235	02462352		
6	295	02462952	02461752	1008045
6	355	02463552		
6	415	02464152		
Screw, M4*14		1004229	1004229	-





2023 · 7

 +86-010-62451759

[subrack@rdekono.com](mailto:subrack@rdekono.com)

[www.beijingjixiang.com](http://www.beijingjixiang.com)

870 Baijiatuan, Wenquan TO wn, Haidian District, Beijing