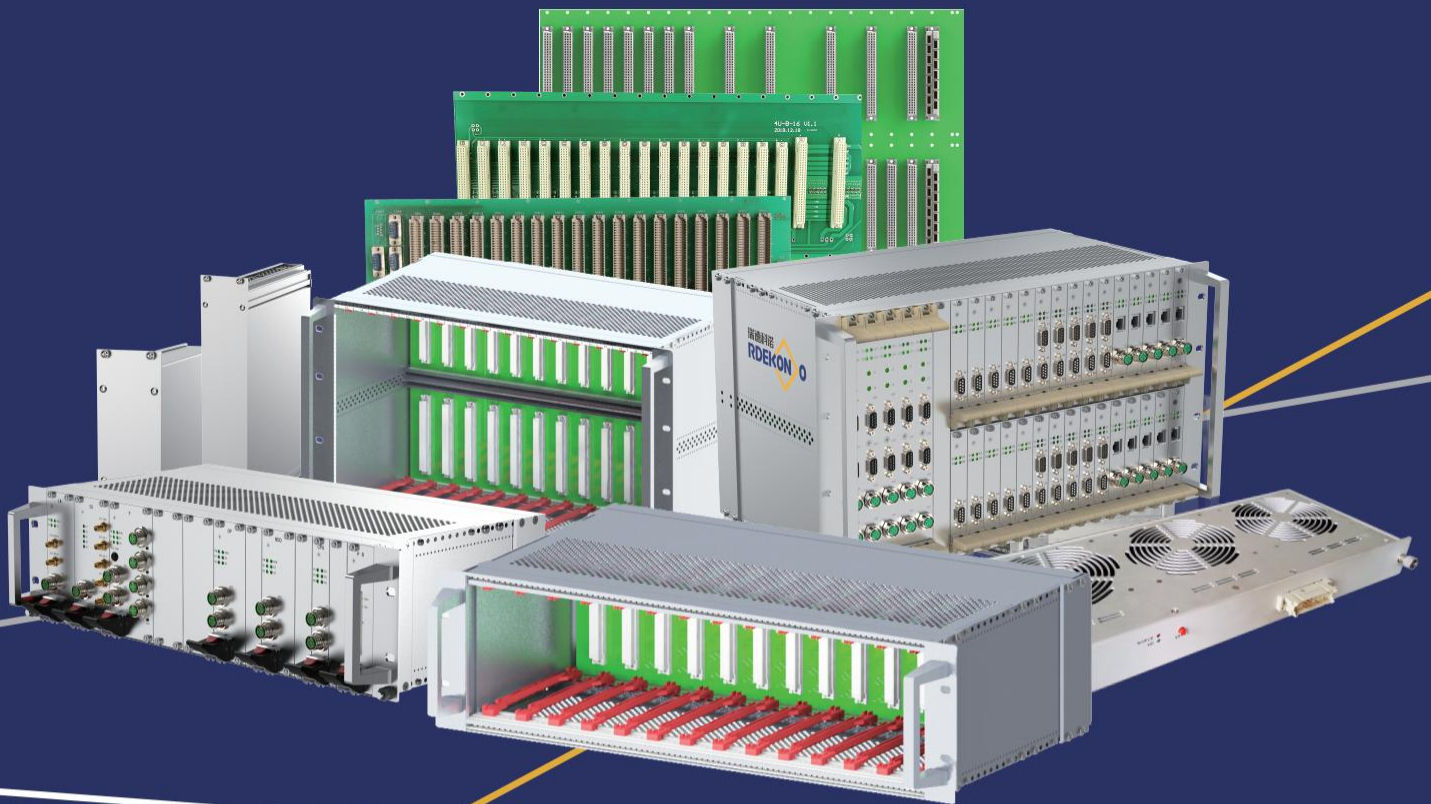


SUBRACK

Model Selection Manual for Subracks

BEIJING RDEKONO ELECTRONIC EQUIPMENT CO.,LTD

Responsibility and Innovation Connection and protection





Beijing RdeKono Electronic Equipment Beijing Rdekono Electronic Equipment co., Ltd



Beijing Rdekono Electronic Equipment Co., Ltd. is a scientific and technological enterprise engaged in products design and manufacturing, with national high-tech enterprise qualification and ISO TS22163 quality management system.

We have operation headquarters and R&D center in Beijing, a parts processing center in Cangzhou, and a complete equipment manufacturing center in Tianjin. Rdekono has a professional design team based on the complete equipment engineering technology. Rdekono has multiple technology integration design capabilities and focuses on the R&D of complete equipment system. Our technical scope includes usability design, structural design, heat dissipation design, electromagnetic shielding design, power distribution design, reliability protection design and other professional fields.

Our technical development concept is -profit users and save manufacturing cost. Through design innovative and advanced manufacturing technology, we can provide customers with complete services from product design, mechanical manufacturing to electrical and mechanical parts assembly. Rdekono is committed to helping our customers improve product competitiveness and reduce development and production costs, shorten the development cycle, and achieve market goals fast.

Mission: Integration of innovation, excellence, development and manufacturing of competitive products.

Enterprise vision: TO become a first-class electronic mechanical structure solution supplier.

Core values: Achieve cus TO mer value, improve employee welfare, return TO all shareholders.

RDEKONO

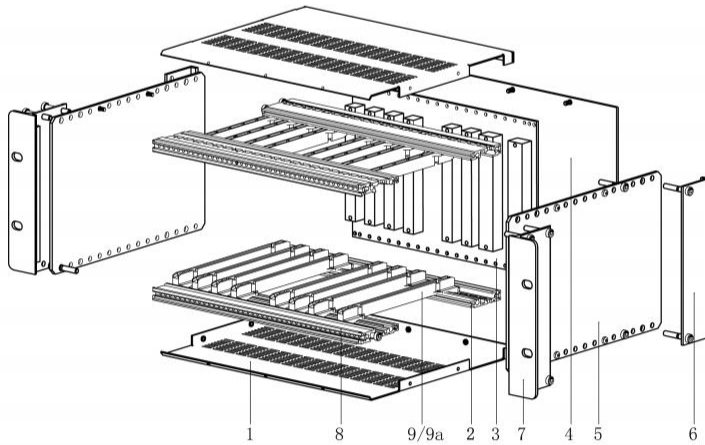


- VERO Series Subracks ······1~4
- VERO Subracks ······1
- VERO Subracks Guide rail ······2
- VERO 3U Shielded plug-in units ······3
- VERO 6U Shielded plug-in units ······4

VERO Series Subracks



VERO Series Subracks



VERO Subracks

- Can be used to build CompactPCI system platforms with full mounting accessory support; for the application of mounting backplane or connector.

For rear panel installation, there is an insulating strip between the rear panel and the middle cross member; for connector installation, the connector type should comply with IEC60603-2/DIN 41612 standard.

Delivery Comprises(kit)

| Item | Name | 3U Qty | 6U Qty | Model |
|------|-----------------|--------|--------|--------|
| 1 | Cover plate | 2 | 2 | / |
| 2 | Rear rails | 2 | 2 | / |
| 3 | Backplane | 1 | 1 | / |
| 4 | Rear panel | 1 | 1 | / |
| 5 | Side panel | 2 | 2 | / |
| 6 | Rear bracket | 2 | 2 | / |
| 7 | Front bracket | 2 | 2 | / |
| 8 | Front rails | 2 | 2 | / |
| 9 | Low guide rail | / | / | Choice |
| 9a | High guide rail | / | / | Choice |

Order information

| H Height | W Width | D Depth | Model | Order no |
|----------|---------|---------|------------|----------|
| 3U | 84TE | 160 | Perforated | 31604202 |
| 3U | 84TE | 220 | Perforated | 32204202 |
| 4U | 84TE | 160 | Perforated | 41604212 |
| 4U | 84TE | 220 | Perforated | 42204213 |
| 6U | 84TE | 160 | Perforated | 61604212 |
| 6U | 84TE | 220 | Perforated | 62204213 |

Order information

| Name | W Width | Order no | Name | H Height | Order no |
|-------------|---------|----------|---------------|----------|----------|
| Front rails | 42TE | 0180001 | Front bracket | 3U | 0280001 |
| Front rails | 63TE | 0180011 | Front bracket | 4U | 0280002 |
| Front rails | 84TE | 0180009 | Front bracket | 6U | 0280003 |
| Rear rails | 42TE | 0180002 | Rear bracket | 3U | 0280004 |
| Rear rails | 63TE | 0180012 | Rear bracket | 4U | 0280005 |
| Rear rails | 84TE | 0180010 | Rear bracket | 6U | 0280006 |

EK&EG PRO Series Subracks
 EK&EG+ PRO Series Subracks
 BEK&BEG PRO Series Subracks
 Handle specification and accessories
 Guide-rail specification and accessories
 19" CUR Series Subracks
 SNCF Series Subracks
 Shielded plug-in units Series Subracks
 VERO Series Subracks
 Protective Series Subracks
 CASE Series Subracks
 Type A Series Subracks
 Rugged Subracks Side panel
 IN-S Series Subracks
 Subracks Accessories
 Panel component
 Order no. and page Table

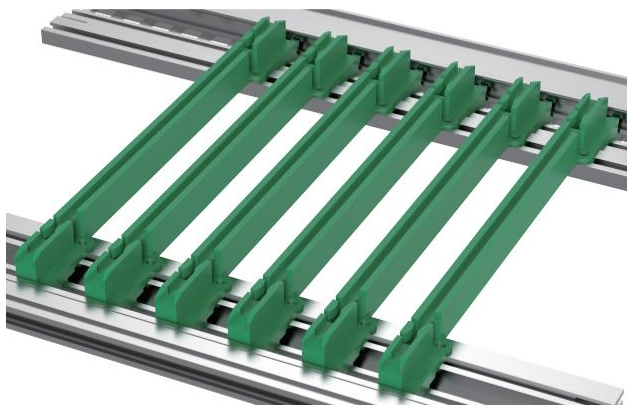
VERO Series Subracks



VERO Series Subracks



Low guide rail



High guide rail

Order information

| Name | D Depth | Color | Colour code | Order no |
|-----------------|---------|-------|-------------|----------|
| High guide rail | 160 | Green | RAL6024 | 1001022 |
| Low guide rail | 160 | Green | RAL6024 | 1001024 |
| Low guide rail | 220 | Green | RAL6024 | 1001023 |

| |
|--|
| Order no. and page Table |
| Panel component |
| Subracks Accessories |
| IN-S Series Subracks |
| Rugged Subracks Side panel |
| Type-A Series Subracks |
| CASE Series Subracks |
| Protective Series Subracks |
| VERO Series Subracks |
| Shielded plug-in units Series Subracks |
| SNCF Series Subracks |
| 19" CUR Series Subracks |
| Guide rail specification and accessories |
| Handle specification and accessories |
| BEK&BEG PRO Series Subracks |
| EK+EG+PRO Series Subracks |
| EK&EG PRO Series Subracks |

VERO Series Subracks



VERO Shielded plug-in units

VERO 3U Shielded plug-in units

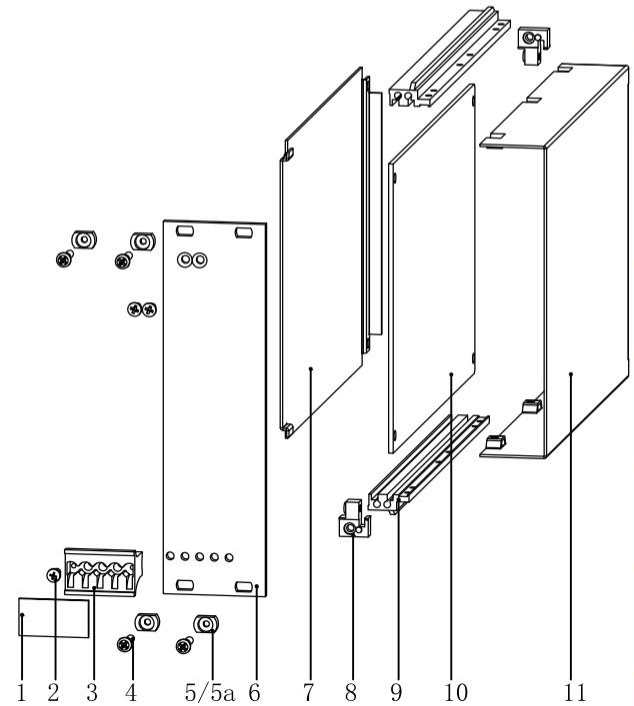
- For circuit board protection against physical damage and mechanical damage
- Front panel is shielded or unshielded
- Suitable for subrack cases and instrument cases

Delivery Comprises(kit)

| Item | Name | 3U Qty | Model |
|------|-----------------------|--------|-------|
| 1 | Scutcheon | 1 | / |
| 2 | Panel fixing screws | 3 | / |
| 3 | Black plastic handle | 1 | / |
| 4 | Captive screws | 4 | / |
| 5 | Metal sleeve plastic | 4 | / |
| 5a | Metal sleeve Brass | 4 | / |
| 6 | Panel | 1 | / |
| 7 | Side panel | 1 | / |
| 8 | Printed board bracket | 2 | / |
| 9 | Guide rail | 2 | / |
| 10 | PCB Board | 1 | / |
| 11 | Cover plate | 1 | / |

Order information

| Width HP | Description | Model | Order no (Depth 167mm) | Order no (Depth 227mm) |
|----------|-------------|---------------|------------------------|------------------------|
| 5 | Unshielded | Perforated | 05316710 | 05322710 |
| 5 | Unshielded | Without holes | 05316700 | 05322700 |
| 6 | Unshielded | Perforated | 06316710 | 06322710 |
| 6 | Unshielded | Without holes | 06316700 | 06322700 |
| 7 | Unshielded | Perforated | 07316710 | 07322710 |
| 7 | Unshielded | Without holes | 07316700 | 07322700 |
| 8 | Unshielded | Perforated | 08316710 | 08322710 |
| 8 | Unshielded | Without holes | 08316700 | 08322700 |
| 10 | Unshielded | Perforated | 10316710 | 10322710 |
| 10 | Unshielded | Without holes | 10316700 | 10322700 |
| 12 | Unshielded | Perforated | 12316710 | 12322710 |
| 12 | Unshielded | Without holes | 12316700 | 12322700 |
| 14 | Unshielded | Perforated | 14316710 | 14322710 |
| 14 | Unshielded | Without holes | 14316700 | 14322700 |
| 21 | Unshielded | Perforated | 21316710 | 21322710 |
| 21 | Unshielded | Without holes | 21316700 | 21322700 |
| 28 | Unshielded | Perforated | 28316710 | 28322710 |
| 28 | Unshielded | Without holes | 28316700 | 28322700 |
| 42 | Unshielded | Perforated | 42316710 | 42322710 |
| 42 | Unshielded | Without holes | 42316700 | 42322700 |



Order information

| Width HP | Description | Model | Order no (Depth 167mm) | Order no (Depth 227mm) |
|----------|-------------|---------------|------------------------|------------------------|
| 5 | Shielded | Perforated | 05316711 | 05322711 |
| 5 | Shielded | Without holes | 05316701 | 05322701 |
| 6 | Shielded | Perforated | 06316711 | 06322711 |
| 6 | Shielded | Without holes | 06316701 | 06322701 |
| 7 | Shielded | Perforated | 07316711 | 07322711 |
| 7 | Shielded | Without holes | 07316701 | 07322701 |
| 8 | Shielded | Perforated | 08316711 | 08322711 |
| 8 | Shielded | Without holes | 08316701 | 08322701 |
| 10 | Shielded | Perforated | 10316711 | 10322711 |
| 10 | Shielded | Without holes | 10316701 | 10322701 |
| 12 | Shielded | Perforated | 12316711 | 12322711 |
| 12 | Shielded | Without holes | 12316701 | 12322701 |
| 14 | Shielded | Perforated | 14316711 | 14322711 |
| 14 | Shielded | Without holes | 14316701 | 14322701 |
| 21 | Shielded | Perforated | 21316711 | 21322711 |
| 21 | Shielded | Without holes | 21316701 | 21322701 |
| 28 | Shielded | Perforated | 28316711 | 28322711 |
| 28 | Shielded | Without holes | 28316701 | 28322701 |
| 42 | Shielded | Perforated | 42316711 | 42322711 |
| 42 | Shielded | Without holes | 42316701 | 42322701 |

| |
|--|
| EK&EG PRO Series Subracks |
| EK+EG+PRO Series Subracks |
| BEK&BEG PRO Series Subracks |
| Handle specification and accessories |
| Guide rail specification and accessories |
| 19" CUR Series Subracks |
| SNCF Series Subracks |
| Shielded plug-in units Series Subracks |
| VERO Series Subracks |
| Protective Series Subracks |
| CASE Series Subracks |
| Type A Series Subracks |
| Rugged Subracks Side panel |
| IN-S Series Subracks |
| Subracks Accessories |
| Panel component |
| Order no. and page Table |

VERO Shielded plug-in units

VERO 6U Shielded plug-in units

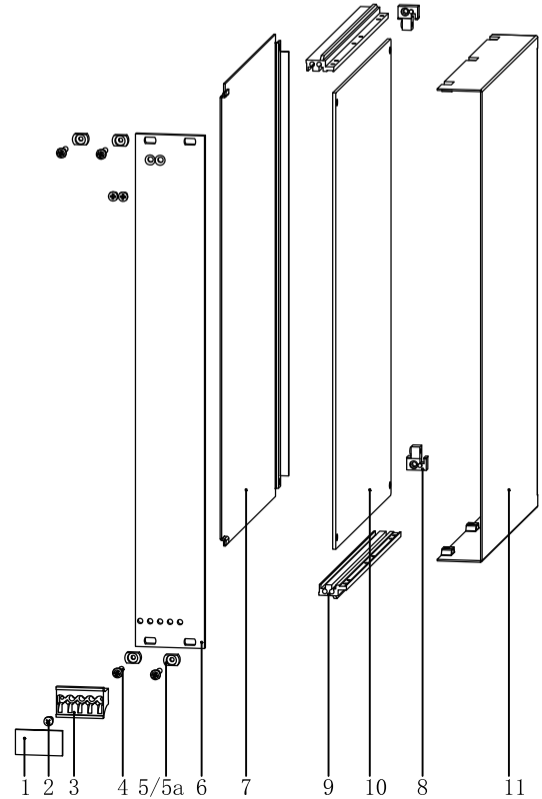
- For circuit board protection against physical damage and mechanical damage
- Front panel is shielded or unshielded
- Suitable for subrack cases and instrument cases

Delivery Comprises(kit)

| Item | Name | 3U Qty | Model |
|------|-----------------------|--------|-------|
| 1 | Scutcheon | 1 | / |
| 2 | Panel fixing screws | 3 | / |
| 3 | Black plastic handle | 1 | / |
| 4 | Captive screws | 4 | / |
| 5 | Metal sleeve plastic | 4 | / |
| 5a | Metal sleeve Brass | 4 | / |
| 6 | Panel | 1 | / |
| 7 | Side panel | 1 | / |
| 8 | Printed board bracket | 2 | / |
| 9 | Guide rail | 2 | / |
| 10 | PCB Board | 1 | / |
| 11 | Cover plate | 1 | / |

Order information

| Width HP | Description | Model | Order no (Depth 167mm) | Order no (Depth 227mm) |
|----------|-------------|---------------|------------------------|------------------------|
| 5 | Shielded | Perforated | 05616711 | 05622711 |
| 5 | Shielded | Without holes | 05616701 | 05622701 |
| 6 | Shielded | Perforated | 06616711 | 06622711 |
| 6 | Shielded | Without holes | 06616701 | 06622701 |
| 7 | Shielded | Perforated | 07616711 | 07622711 |
| 7 | Shielded | Without holes | 07616701 | 07622701 |
| 8 | Shielded | Perforated | 08616711 | 08622711 |
| 8 | Shielded | Without holes | 08616701 | 08622701 |
| 10 | Shielded | Perforated | 10616711 | 10622711 |
| 10 | Shielded | Without holes | 10616701 | 10622701 |
| 12 | Shielded | Perforated | 12616711 | 12622711 |
| 12 | Shielded | Without holes | 12616701 | 12622701 |
| 14 | Shielded | Perforated | 14616711 | 14622711 |
| 14 | Shielded | Without holes | 14616701 | 14622701 |
| 21 | Shielded | Perforated | 21616711 | 21622711 |
| 21 | Shielded | Without holes | 21616701 | 21622701 |
| 28 | Shielded | Perforated | 28616711 | 28622711 |
| 28 | Shielded | Without holes | 28616701 | 28622701 |
| 42 | Shielded | Perforated | 42616711 | 42622711 |
| 42 | Shielded | Without holes | 42616701 | 42622701 |




Order information

| Width HP | Description | Model | Order no (Depth 167mm) | Order no (Depth 227mm) |
|----------|-------------|---------------|------------------------|------------------------|
| 5 | Unshielded | Perforated | 05616710 | 05622710 |
| 5 | Unshielded | Without holes | 05616700 | 05622700 |
| 6 | Unshielded | Perforated | 06616710 | 06622710 |
| 6 | Unshielded | Without holes | 06616700 | 06622700 |
| 7 | Unshielded | Perforated | 07616710 | 07622710 |
| 7 | Unshielded | Without holes | 07616700 | 07622700 |
| 8 | Unshielded | Perforated | 08616710 | 08622710 |
| 8 | Unshielded | Without holes | 08616700 | 08622700 |
| 10 | Unshielded | Perforated | 10616710 | 10622710 |
| 10 | Unshielded | Without holes | 10616700 | 10622700 |
| 12 | Unshielded | Perforated | 12616710 | 12622710 |
| 12 | Unshielded | Without holes | 12616700 | 12622700 |
| 14 | Unshielded | Perforated | 14616710 | 14622710 |
| 14 | Unshielded | Without holes | 14616700 | 14622700 |
| 21 | Unshielded | Perforated | 21616710 | 21622710 |
| 21 | Unshielded | Without holes | 21616700 | 21622700 |
| 28 | Unshielded | Perforated | 28616710 | 28622710 |
| 28 | Unshielded | Without holes | 28616700 | 28622700 |
| 42 | Unshielded | Perforated | 42616710 | 42622710 |
| 42 | Unshielded | Without holes | 42616700 | 42622700 |



2023 · 7

 +86-010-62451759

subrack@rdekono.com

www.beijingjixiang.com

870 Baijiatuan, Wenquan TO wn, Haidian District, Beijing