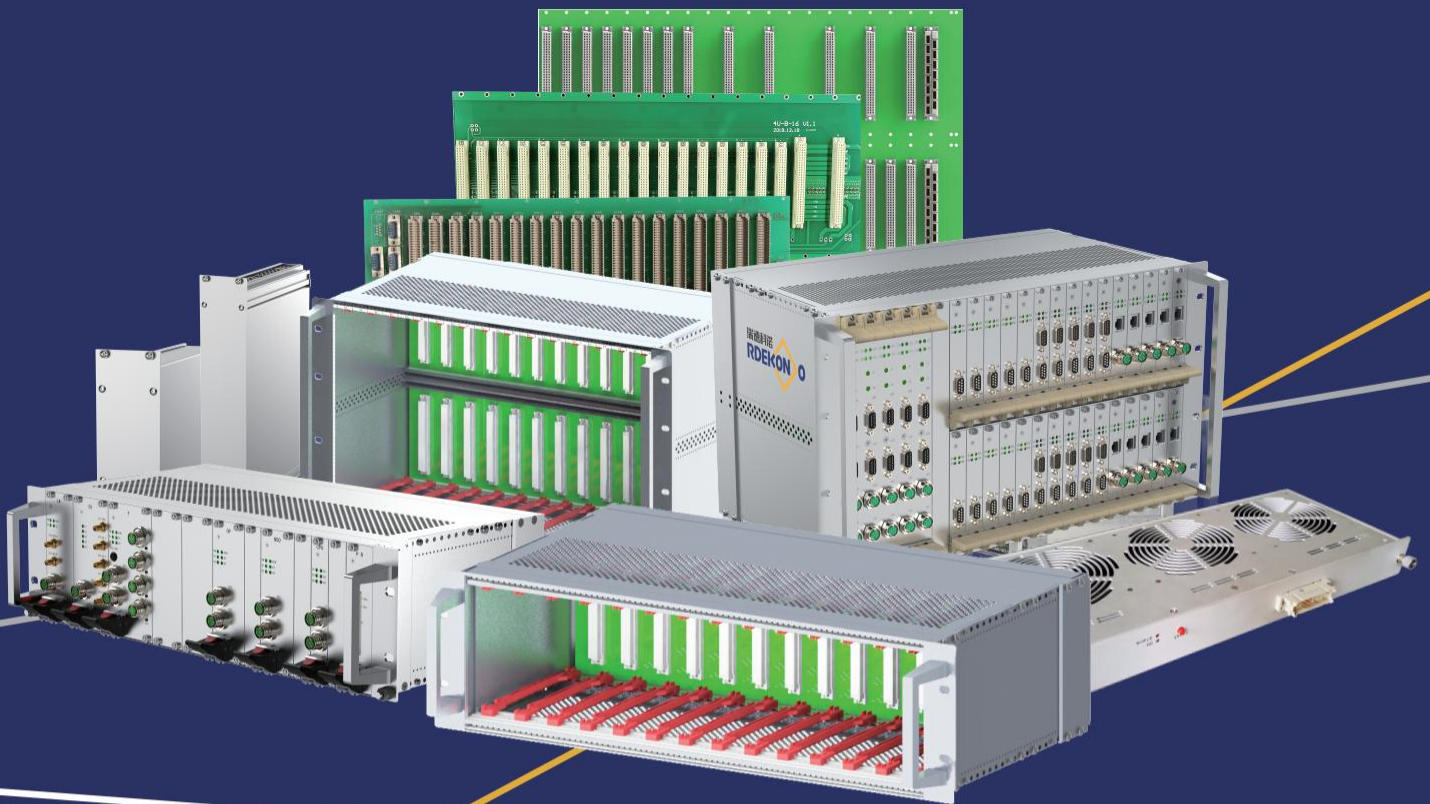


SUBRACK

Model Selection Manual for Subracks

BEIJING RDEKONO ELECTRONIC EQUIPMENT CO.,LTD

Responsibility and Innovation Connection and protection





Beijing RdeKono Electronic Equipment Beijing Rdekono Electronic Equipment co., Ltd



Beijing Rdekono Electronic Equipment Co., Ltd. is a scientific and technological enterprise engaged in products design and manufacturing, with national high-tech enterprise qualification and ISO TS22163 quality management system.

We have operation headquarters and R&D center in Beijing, a parts processing center in Cangzhou, and a complete equipment manufacturing center in Tianjin. Rdekono has a professional design team based on the complete equipment engineering technology. Rdekono has multiple technology integration design capabilities and focuses on the R&D of complete equipment system. Our technical scope includes usability design, structural design, heat dissipation design, electromagnetic shielding design, power distribution design, reliability protection design and other professional fields.

Our technical development concept is -profit users and save manufacturing cost. Through design innovative and advanced manufacturing technology, we can provide customers with complete services from product design, mechanical manufacturing to electrical and mechanical parts assembly. Rdekono is committed to helping our customers improve product competitiveness and reduce development and production costs, shorten the development cycle, and achieve market goals fast.

Mission: Integration of innovation, excellence, development and manufacturing of competitive products.

Enterprise vision: TO become a first-class electronic mechanical structure solution supplier.

Core values: Achieve cus TO mer value, improve employee welfare, return TO all shareholders.

RDEKONO

SNCF Series Subracks



SNCF Shielded Subracks

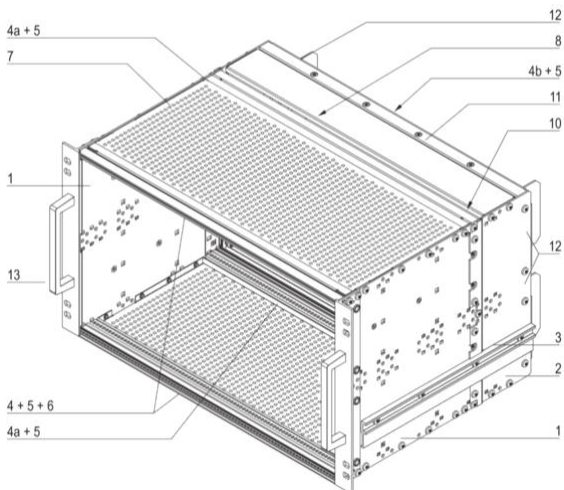
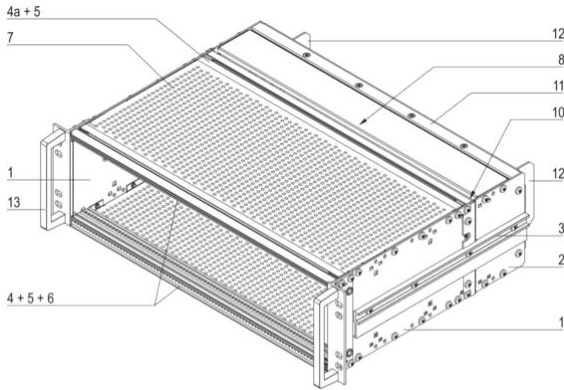


SNCF Subracks, Shielding Protection

- Tested according to NF F61-005 and NF F60-002 standards
- 3U, 6U, 21T, 320mm deep, for board depth 220mm
- 1T=4HP

Delivery Comprises(kit)

Item	3U Qty	6U Qty	Description
1	2	2	Side panel, 19" support bracket
2	2	2	Side panel extension
3	2	2	External guide rail
4	2	2	Front rails
4a	2	2	Rear rails
4b	-	1	Middle rails
5	4	6	Threaded insert
6	2	2	Perforated strip
7	2	2	EMC Cover plate
8	2	2	EMC Rear cover plate
9	1	1	EMC kit for gasketing
10	1	2	Backplane shielding kit
11	1	2	Rear frame
12	2	4	Protective bracket
13	2	2	Handles
14	1	1	Assembly part kit with self-locking screws



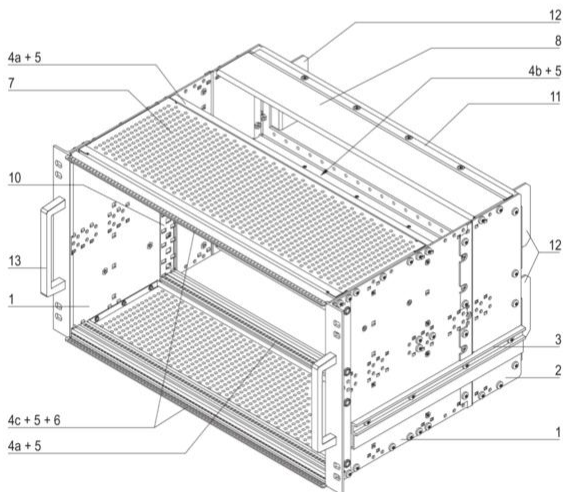
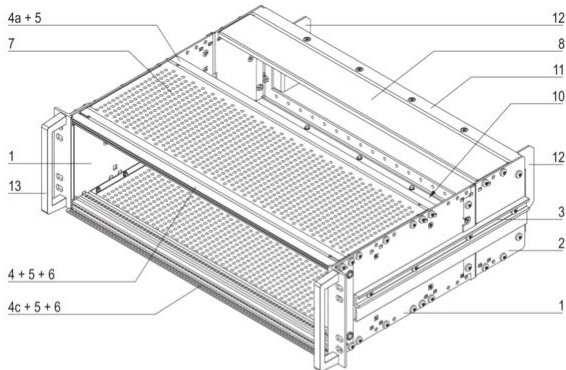
Order information

Height	Width	Depth	Order no
3U	84HP	320	83843201
6U	84HP	320	86843201

SNCF Series Subracks



SNCF CPI Shielded Subracks



SNCF Subracks, CPI Shielded Protection

- Tested according to NF F61-005 and NF F60-002 standards
- 3U, 6U, 21T, 320mm deep, for board depth 160mm
- Subracks compliant with IEEE 1101.10 standard for Compact PCI systems

Delivery Comprises(kit)

Item	3U Qty	6U Qty	Description
1	2	2	Side panel, 19" support bracket
2	2	2	Side panel extension
3	2	2	External guide rail
4	1	-	Front rails
4a	2	2	Rear rails
4b	-	1	Middle rails
4c	1	2	Front horizontal Rail
5	4	6	Threaded insert
6	2	2	Perforated strip
7	2	2	EMC Cover plate
8	2	2	EMC Rear cover plate
9	1	1	EMC kit for gasketing
10	1	2	Backplane shielding kit
11	1	2	Rear frame
12	2	4	Protective bracket
13	2	2	Handles
14	1	1	Assembly part kit with self-locking screws

Order information

H Height	HP Width	Depth mm	Order no
3U	84HP	320	83843202
6U	84HP	320	86843202

Subracks mounting accessories (optional)

Item	Description	Order no
1	ESD clips for guide rails	1010003
2	ESD clips for alignment pin of the CompactPCI/VME64X handles	1010001
3	Pan head screw with Torx M2.5X10	1004014
4	CompactPCI/VME64x System Board Guide rail, Comply with IEEE1101.10/11 standard, The slot is 2mm wide, and can be installed with microswitch and anti misplug coding key. It is used to install the card with 160mm depth, red	1001020
5	CompactPCI/VME64x System Board Guide rail, Comply with IEEE1101.10/11 standard, The slot is 2mm wide, and can be installed with microswitch and anti misplug coding key. It is used to install the card with 160mm depth, Grey	1001118
6	CompactPCI/VME64x System Board Guide rail, Comply with IEEE1101.10/11 standard, The slot is 2mm wide, and can be installed with microswitch and anti misplug coding key. It is used to install the card with 162mm depth, Green	1001117

EK&EG PRO Series Subracks
 EK+&EG+ PRO Series Subracks
 BEK&BEG PRO Series Subracks
 Handle specification and accessories
 Guide rail specification and accessories
 19" CUR Series Subracks
 SNCF Series Subracks
 Shielded plug-in units Series Subracks
 VERO Series Subracks
 Protective Series Subracks
 CASE Series Subracks
 Type A Series Subracks
 Rugged Subracks Side panel
 IN-S Series Subracks
 Subracks Accessories
 Panel component
 Order no. and page Table

SNCF Series Subracks



SNCF Unshielded Subracks

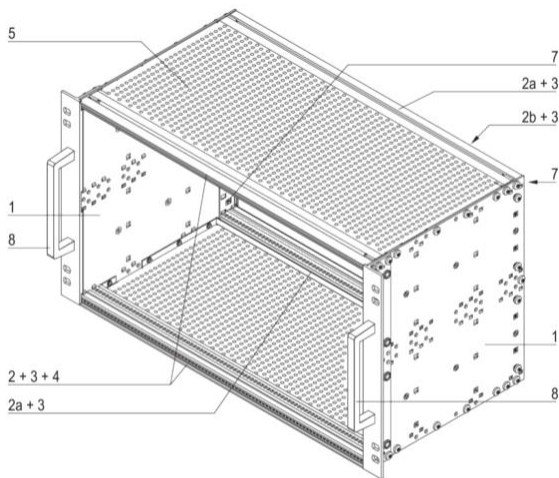
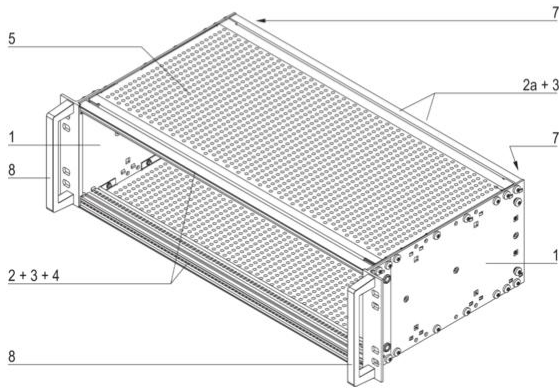


SNCF Subracks, Unshielded protect

- Tested according to EN 50155 standard
- 3U, 6U, 84HP, 235mm deep, for board depth 220mm

Delivery Comprises(kit)

Item	3U Qty	6U Qty	Description
1	2	2	Side panel, 19" support bracket
2	2	2	Front rails
2a	2	2	Rear rails
2b	-	1	Middle rails
3	4	6	Threaded insert
4	2	2	Perforated strip
5	2	2	Cover plate
6	1	1	Shielding tape
7	1	2	Shielding tape, Shielding protection for backplane
8	2	2	Handles
9	1	1	Assembly part kit with self-locking screws



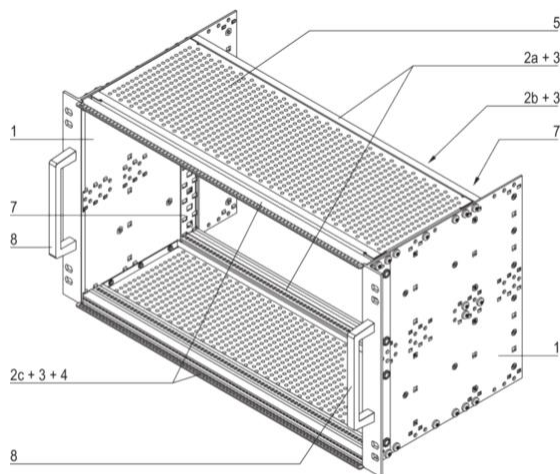
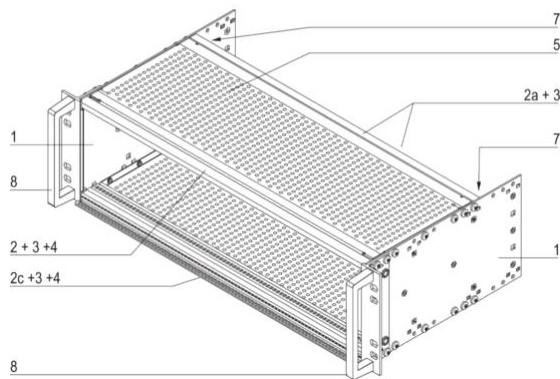
Order information

Height	Width	Depth mm	Order no
3U	84HP	235	83842353
6U	84HP	235	86842353

SNCF Series Subracks



SNCF EMC Shielded Subracks



SNCF Subracks, EMC Shielded Protection

- Tested according to NF F61-005 and NF F60-002 standards
- 3U, 6U, 84HP, 235mm deep, for board depth 160mm
- Subracks compliant with IEEE 1101.10 standard for CompactCPI systems

Delivery Comprises(kit)

Item	3U Qty	6U Qty	Description
1	2	2	Side panel, 19" support bracket
2	1	-	Front rails
2a	2	2	Rear rails
2b	-	1	Middle rails
2c	1	2	Front rails
3	4	6	Threaded insert
4	2	2	Perforated strip
5	2	2	Cover plate
6	1	1	Shielding tape
7	1	2	Shielding tape, Shielding protection for backplane
8	2	2	Handles
9	1	1	Assembly part kit with self-locking screws


Order information

H Height	HP Width	Depthmm	Order no
3U	84HP	320	83842354
6U	84HP	320	86842354

EK&BEG PRO Series Subracks
 EK+&BEG+ PRO Series Subracks
 BEK&BEG PRO Series Subracks
 Handle specification and accessories
 Guide rail specification and accessories
 19"CUR Series Subracks
 SNCF Series Subracks
 Shielded plug-in units Series Subracks
 VERO Series Subracks
 Protective Series Subracks
 CASE Series Subracks
 Type A Series Subracks
 Rugged Subracks Side panel
 IN-S Series Subracks
 Subracks Accessories
 Panel component
 Order no. and page Table



2023 · 7

 +86-010-62451759

subrack@rdekono.com | www.beijingjixiang.com | 870 Baijiatuan, Wenquan TO wn, Haidian District, Beijing