



Standards/certifications

Inner and outer dimensions meet: IEC 60297-3-101, IEC 60297-3-102, IEC 60297-3-103, IEEE 1101.1 and IEEE 1101.10/11

Type of protection IP20 in accordance with IEC 60529

EMC testing to IEC 61587-3

Shock and vibration test reports: German "Bahn" standards BN 411002, BN 411003; NF F 60002, NF F 67012

IEC 61587-2, EN 50155, part 12.2.11

Customized service

Customize the side panel of the Subracks

Panel and panel opening, screen printing

EK&EG PRO Series Subracks introduction

EK&EG PRO series Subracks is a series of Subracks products developed by **RDEKONO** for the application of the 19" standard Subracks. After years of practical application shows that the EK&EGPRO series Subracks has stable performance, solid structure and meets all the requirements of the 19" standard size and application. At the same time, the EK&EGPRO series Subracks has the characteristics of high cost performance, rich components, flexible configuration and so on, which can meet the use requirements to the greatest extent

EK&EG PRO Series Subracks introduction

EK&EG PRO series Subracks is widely used in all kinds of standard electronic equipment and user-defined electronic systems, can be used to build CompactPCI, VME, VME64, PXI and other systems, can also be used as a general electronic plug-in box

RDEKONO PRO 3/6U Subrack(Railway Applications)

- Unshielded and shielded versions NFF61005/60002
- Unshielded and shielded versions EN50155 subrack
- Shielded versions for CompactPCI applications



19 "Subrack Subracks

- Shock and vibration resistant to IEC 61587-2, EN 50155, NFF 67012/NF F 60002, German railway standards BN 411002/411003
- IEC 60297-3-101, IEC 60297-3-102, IEC 60297-3-103, IEEE 1101.1 and IEEE 1101.10/11 compatible
- Designed for extractor handles to IEEE 1101.10/11 and IEC 60297-3-103 for CompactPCI and VME 64x application
- EMC shielding easily retrofittable if needed

RDEKON PRO 3/6U Subrack(Kits)

- Unshielded and shielded versions
- Shielded versions for CompactPCI applications

EK&EG PRO Series Subracks Features

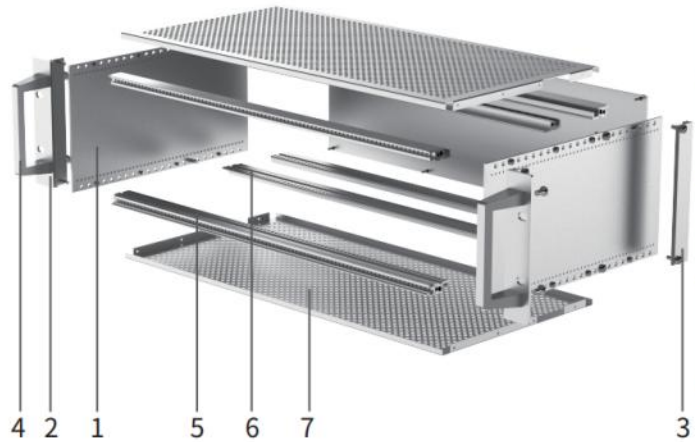
- **RDEKON** 19"Subrack , manufactured by advanced technology
- EK&EG PRO series products meet the 19" standard, easy to assemble (Refer to the company's 19" standard summary manual for details). Fully reflected the standardization, module The characteristics and advantages of chemical and serialization
- All series of products adopt universal standard parts combination, reflecting a high degree of flexibility, customers can according to the specific needs of the general standard parts or customized product vibration, impact test standards: according to IEC61587-1, NE50155, BN411002,NF F67012, NF F67002 test
- Complies with IEEE 1101.1 standard
- Can be used to build CompactPCI.VME, VME64 system platform
- The Subracks have good electromagnetic shielding performance

EK PRO Economy Series Subracks



3U/4U

- Subrack Shielding case (CompactPCI) · Light beam, Can better reduce the weight, bearing performance unchanged
- Suitable for CompactPCI and VME64x insertion and extractor handles
- Rear horizontal rail for backplane mounting with insulation strip; For applications that install backplanes or connectors, Horizontal rails, rear, for connector mounting (IEC 60603-2 / DIN 41612)
- Typical shielding 40dB at 1 GHz, 30 dB at 2GHz (as to VG 95373 ,part15), on condition that the front is sealed with shielded front panels
- For real I/O application



Delivery Comprises(kit)

Item	Name	Qty	Model
1	Side panel	2	/
2	Front bracket	2	/
3	Rear angle	2	/
4	Handle	2	choice
5	Front rails	4	/
6	Rear rails	2	/

Item	Name	Qty	Model
7	Cover plate	2	/
8	Threaded insert	6	/
9	Insulation strip	8	/
10	EMC gasket (Front rails)	4	choice
11	EMC gasket (Front bracket)	3	choice
12	EMC gasket (Cover plate)	4	choice

Order information

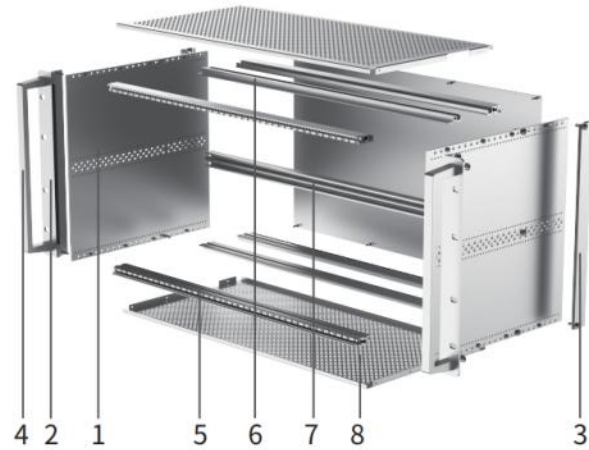
Height	Width	Depth	Model	Order no
3U	42TE	245	Perforated	1342-2451
3U	42TE	245	Without holes	1342-2450
3U	42TE	285	Perforated	1342-2851
3U	42TE	285	Without holes	1342-2850
3U	42TE	345	Perforated	1342-3451
3U	42TE	345	Without holes	1342-3450
3U	63TE	245	Perforated	1363-2451
3U	63TE	245	Without holes	1363-2450
3U	63TE	285	Perforated	1363-2851
3U	63TE	285	Without holes	1363-2850
3U	63TE	345	Perforated	1363-3451
3U	63TE	345	Without holes	1363-3450
3U	84TE	245	Perforated	1384-2451
3U	84TE	245	Without holes	1384-2450
3U	84TE	285	Perforated	1384-2851
3U	84TE	285	Without holes	1384-2850
3U	84TE	345	Perforated	1384-3451
3U	84TE	345	Without holes	1384-3450

Height	Width	Depth	Model	Material No
4U	42TE	245	Perforated	1442-2451
4U	42TE	245	Without holes	1442-2450
4U	42TE	285	Perforated	1442-2851
4U	42TE	285	Without holes	1442-2850
4U	42TE	345	Perforated	1442-3451
4U	42TE	345	Without holes	1442-3450
4U	63TE	245	Perforated	1463-2451
4U	63TE	245	Without holes	1463-2450
4U	63TE	285	Perforated	1463-2851
4U	63TE	285	Without holes	1463-2850
4U	63TE	345	Perforated	1463-3451
4U	63TE	345	Without holes	1463-3450
4U	84TE	245	Perforated	1484-2451
4U	84TE	245	Without holes	1484-2450
4U	84TE	285	Perforated	1484-2851
4U	84TE	285	Without holes	1484-2850
4U	84TE	345	Perforated	1484-3451
4U	84TE	345	Without holes	1484-3450

EM&EG PRO Series Subracks
 EK&EG+PRO Series Subracks
 BEK&BEG PRO Series Subracks
 Handle specification and accessories
 Guide rail specification and accessories
 19" CUR Series Subracks
 SNCF Series Subracks
 Shielded plug-in units Series Subracks
 VERO Series Subracks
 Protective Series Subracks
 CASE Series Subracks
 Type A Series Subracks
 Rugged Subracks Side panel
 IN-S Series Subracks
 Subracks Accessories
 Panel component
 Order no. and page Table

6U

- Subrack Shielding case (CompactPCI) · Light beam, Can better reduce the weight, bearing performance unchanged
- Suitable for CompactPCI and VME64x insertion and extractor handles
- Rear horizontal rail for backplane mounting with insulation strip; For applications that install backplanes or connectors, Horizontal rails, rear, for connector mounting (IEC 60603-2 / DIN 41612)
- Typical shielding 40dB at 1 GHz, 30 dB at 2GHz (as to VG 95373 ,part15), on condition that the front is sealed with shielded front panels
- For real I/O application



Delivery Comprises(kit)

Item	Name	Qty	Model
1	Side panel	2	/
2	Front bracket	2	/
3	Rear angle	2	/
4	Handle	2	choice
5	Front rails	4	/
6	Rear rails	2	/
7	Middle rails	1	/

Item	Name	Qty	Model
8	Cover plate	2	/
9	Threaded insert	6	/
10	Insulation strip	16	/
11	EMC gasket (Front rails)	4	choice
12	EMC gasket (Front bracket)	3	choice
13	EMC gasket (Cover plate)	4	choice

Order information

Height	Width	Depth	Model	Material No
6U	42TE	245	Perforated	1642-2451
6U	42TE	245	Without holes	1642-2450
6U	42TE	285	Perforated	1642-2851
6U	42TE	285	Without holes	1642-2850
6U	42TE	345	Perforated	1642-3451
6U	42TE	345	Without holes	1642-3450
6U	63TE	245	Perforated	1663-2451
6U	63TE	245	Without holes	1663-2450
6U	63TE	285	Perforated	1663-2851
6U	63TE	285	Without holes	1663-2850
6U	63TE	345	Perforated	1663-3451
6U	63TE	345	Without holes	1663-3450
6U	84TE	245	Perforated	1684-2451
6U	84TE	245	Without holes	1684-2450
6U	84TE	285	Perforated	1684-2851
6U	84TE	285	Without holes	1684-2850
6U	84TE	345	Perforated	1684-3451
6U	84TE	345	Without holes	1684-3450

EG PRO Rugged Series Subracks



3U/4U

- Subrack Shielding case (CompactPCI) · Heavy beam, Provide better load-bearing performance
- Suitable for CompactPCI and VME64x insertion and extractor handles
- Rear horizontal rail for backplane mounting with insulation strip; For applications that install backplanes or connectors, Horizontal rails, rear, for connector mounting (IEC 60603-2 / DIN 41612)
- Typical shielding 40dB at 1 GHz, 30 dB at 2GHz (as to VG 95373 ,part15), on condition that the front is sealed with shielded front panels
- For real I/O application



Delivery Comprises(kit)

Item	Name	Qty	Model
1	Side panel	2	/
2	Front bracket	2	/
3	Rear angle	2	/
4	Handle	2	Choice
5	Front rails	4	/
6	Rear rails	2	/

Item	Name	Qty	Model
7	Cover plate	2	/
8	Threaded insert	6	/
9	Insulation strip	8	/
10	EMC gasket (Front rails)	4	Choice
11	EMC gasket (Front bracket)	3	Choice

Order information

Height	Width	Depth	Model	Order no
3U	42TE	245	Perforated	2342-2451
3U	42TE	245	Without holes	2342-2450
3U	42TE	285	Perforated	2342-2851
3U	42TE	285	Without holes	2342-2850
3U	42TE	345	Perforated	2342-3451
3U	42TE	345	Without holes	2342-3450
3U	63TE	245	Perforated	2363-2451
3U	63TE	245	Without holes	2363-2450
3U	63TE	285	Perforated	2363-2851
3U	63TE	285	Without holes	2363-2850
3U	63TE	345	Perforated	2363-3451
3U	63TE	345	Without holes	2363-3450
3U	84TE	245	Perforated	2384-2451
3U	84TE	245	Without holes	2384-2450
3U	84TE	285	Perforated	2384-2851
3U	84TE	285	Without holes	2384-2850
3U	84TE	345	Perforated	2384-3451
3U	84TE	345	Without holes	2384-3450

Height	Width	Depth	Model	Material No
4U	42TE	245	Perforated	2442-2451
4U	42TE	245	Without holes	2442-2450
4U	42TE	285	Perforated	2442-2851
4U	42TE	285	Without holes	2442-2850
4U	42TE	345	Perforated	2442-3451
4U	42TE	345	Without holes	2442-3450
4U	63TE	245	Perforated	2463-2451
4U	63TE	245	Without holes	2463-2450
4U	63TE	285	Perforated	2463-2851
4U	63TE	285	Without holes	2463-2850
4U	63TE	345	Perforated	2463-3451
4U	63TE	345	Without holes	2463-3450
4U	84TE	245	Perforated	2484-2451
4U	84TE	245	Without holes	2484-2450
4U	84TE	285	Perforated	2484-2851
4U	84TE	285	Without holes	2484-2850
4U	84TE	345	Perforated	2484-3451
4U	84TE	345	Without holes	2484-3450

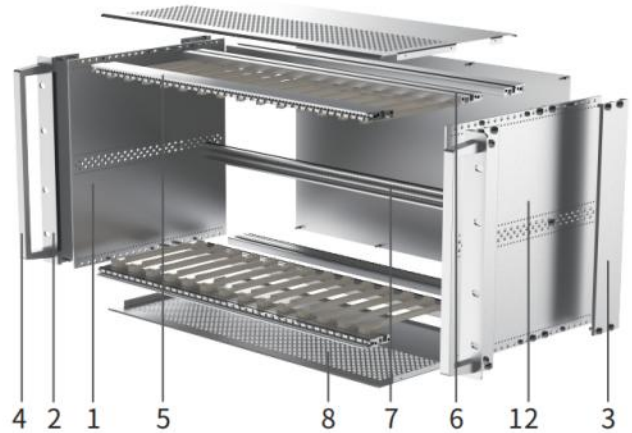
ERAEG PRO Series Subracks
EK+EG+PRO Series Subracks
BEK&BEG PRO Series Subracks
Handle specification and accessories
Guide rail specification and accessories
19" CUR Series Subracks
SNCF Series Subracks
Shielded plug-in units Series Subracks
VERO Series Subracks
Protective Series Subracks
CASE Series Subracks
Type A Series Subracks
Rugged Subracks Side panel
IN-S Series Subracks
Subracks Accessories
Panel component
Order no. and page table

EG PRO Rugged Series Subracks



6U

- Subrack Shielding case (CompactPCI) · Heavy beam, Provide better load-bearing performance
- Suitable for CompactPCI and VME64x insertion and extractor handles
- Rear horizontal rail for backplane mounting with insulation strip; For applications that install backplanes or connectors, Horizontal rails, rear, for connector mounting (IEC 60603-2 / DIN 41612)
- Typical shielding 40dB at 1 GHz, 30 dB at 2GHz (as to VG 95373 ,part15), on condition that the front is sealed with shielded front panels
- For real I/O application



Delivery Comprises(kit)

Item	Name	Qty	Model
1	Side panel	2	/
2	Front bracket	2	/
3	Rear angle	2	/
4	Handle	2	choice
5	Front rails	4	/
6	Rear rails	2	/
7	Middle rails	1	/

Item	Name	Qty	Model
8	Cover plate	2	/
9	Threaded insert	6	/
10	Insulation strip	16	/
11	EMC gasket (Front rails)	4	choice
12	EMC gasket (Front bracket)	3	choice

Order information

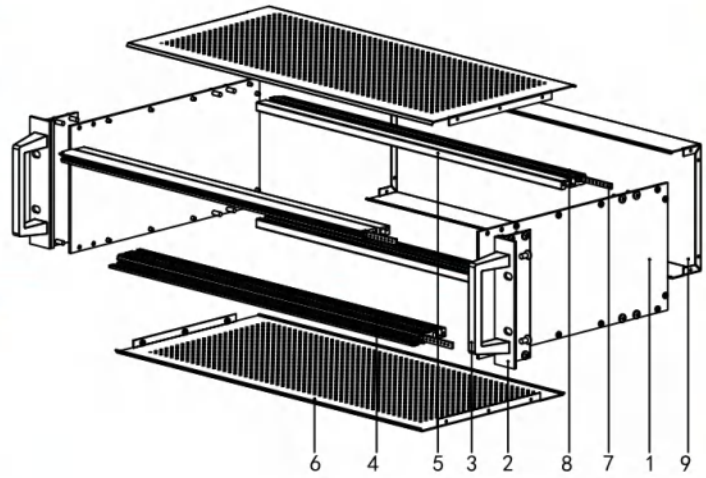
Height	Width	Depth	Model	Material No
6U	42TE	245	Perforated	2642-2451
6U	42TE	245	Without holes	2642-2450
6U	42TE	285	Perforated	2642-2851
6U	42TE	285	Without holes	2642-2850
6U	42TE	345	Perforated	2642-3451
6U	42TE	345	Without holes	2642-3450
6U	63TE	245	Perforated	2663-2451
6U	63TE	245	Without holes	2663-2450
6U	63TE	285	Perforated	2663-2851
6U	63TE	285	Without holes	2663-2850
6U	63TE	345	Perforated	2663-3451
6U	63TE	345	Without holes	2663-3450
6U	84TE	245	Perforated	2684-2451
6U	84TE	245	Without holes	2684-2450
6U	84TE	285	Perforated	2684-2851
6U	84TE	285	Without holes	2684-2850
6U	84TE	345	Perforated	2684-3451
6U	84TE	345	Without holes	2684-3450

EG PRO Rugged Series Subracks



3U/4U

- Subrack Shielding case (CompactPCI) · Heavy beam, Provide better load-bearing performance
- Suitable for CompactPCI and VME64x insertion and extractor handles
- Rear horizontal rail for backplane mounting with insulation strip; For applications that install backplanes or connectors, Horizontal rails, rear, for connector mounting (IEC 60603-2 / DIN 41612)
- Typical shielding 40dB at 1 GHz, 30 dB at 2GHz (as to VG 95373 ,part15), on condition that the front is sealed with shielded front panels
- For real I/O application



Delivery Comprises(kit)

Item	Name	Qty	Model
1	Side panel	2	/
2	Front bracket	2	/
3	Handle	2	Choice
4	Front rails	2	/
5	Rear rails	2	/
6	Cover plate	2	/

Item	Name	Qty	Model
7	Threaded insert	6	/
8	Insulation strip	8	/
9	Bent back panel	1	/
10	EMC gasket (Front rails)	4	Choice
11	EMC gasket (Front bracket)	3	Choice

Order information

Height	Width	Depth	Model	Order no
3U	42TE	245	Perforated	2342-24514
3U	42TE	245	Without holes	2342-24504
3U	42TE	285	Perforated	2342-28514
3U	42TE	285	Without holes	2342-28504
3U	42TE	345	Perforated	2342-34514
3U	42TE	345	Without holes	2342-34504
3U	63TE	245	Perforated	2363-24514
3U	63TE	245	Without holes	2363-24504
3U	63TE	285	Perforated	2363-28514
3U	63TE	285	Without holes	2363-28504
3U	63TE	345	Perforated	2363-34514
3U	63TE	345	Without holes	2363-34504
3U	84TE	245	Perforated	2384-24514
3U	84TE	245	Without holes	2384-24504
3U	84TE	285	Perforated	2384-28514
3U	84TE	285	Without holes	2384-28504
3U	84TE	345	Perforated	2384-34514
3U	84TE	345	Without holes	2384-34504

Height	Width	Depth	Model	Order no
4U	42TE	245	Perforated	2442-24514
4U	42TE	245	Without holes	2442-24504
4U	42TE	285	Perforated	2442-28514
4U	42TE	285	Without holes	2442-28504
4U	42TE	345	Perforated	2442-34514
4U	42TE	345	Without holes	2442-34504
4U	63TE	245	Perforated	2463-24514
4U	63TE	245	Without holes	2463-24504
4U	63TE	285	Perforated	2463-28514
4U	63TE	285	Without holes	2463-28504
4U	63TE	345	Perforated	2463-34514
4U	63TE	345	Without holes	2463-34504
4U	84TE	245	Perforated	2484-24514
4U	84TE	245	Without holes	2484-24504
4U	84TE	285	Perforated	2484-28514
4U	84TE	285	Without holes	2484-28504
4U	84TE	345	Perforated	2484-34514
4U	84TE	345	Without holes	2484-34504

EK&EG PRO Series Subracks

EK+EG+ PRO Series Subracks

BEM&BEG PRO Series Subracks

Handle specification and accessories

Guide-rail specification and accessories

19" CUR Series Subracks

SNCF Series Subracks

Shielded plug-in units Series Subracks

VERO Series Subracks

Protective Series Subracks

CASE Series Subracks

Type A Series Subracks

Rugged Subracks Side panel

IN-S Series Subracks

Subracks Accessories

Panel component

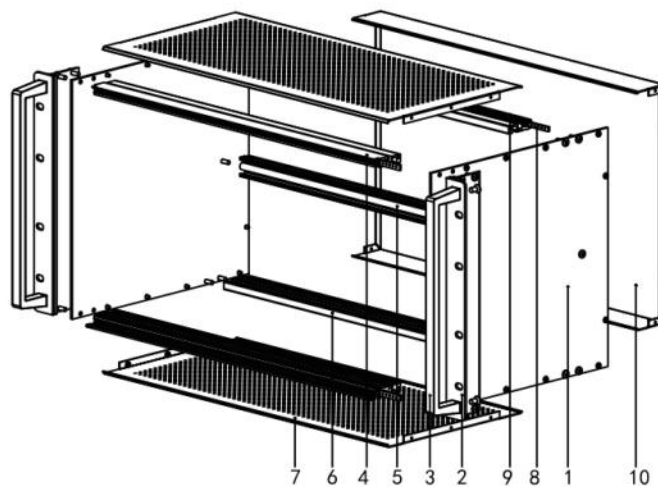
Order no. and page table

EG PRO Rugged Series Subracks



6U

- Subrack Shielding case (CompactPCI) · Heavy beam, Provide better load-bearing performance
- Suitable for CompactPCI and VME64x insertion and extractor handles
- Rear horizontal rail for backplane mounting with insulation strip; For applications that install backplanes or connectors, Horizontal rails, rear, for connector mounting (IEC 60603-2 / DIN 41612)
- Typical shielding 40dB at 1 GHz, 30 dB at 2GHz (as to VG 95373 ,part15), on condition that the front is sealed with shielded front panels
- For real I/O application



Delivery Comprises(kit)

Item	Name	Qty	Model
1	Side panel	2	/
2	Front bracket	2	/
3	Handle	2	Choice
4	Front rails	2	/
5	Middle rails	1	/
6	Rear rails	2	/
7	Cover plate	2	/

Item	Name	Qty	Model
8	Threaded insert	6	/
9	Insulation strip	16	/
10	Bent back panel	1	/
11	EMC gasket (Front rails)	4	Choice
12	EMC gasket (Front bracket)	3	Choice

Order information

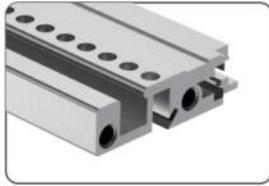
Height	Width	Depth	Model	Material No
6U	42TE	245	Perforated	2642-24514
6U	42TE	245	Without holes	2642-24504
6U	42TE	285	Perforated	2642-28514
6U	42TE	285	Without holes	2642-28504
6U	42TE	345	Perforated	2642-34514
6U	42TE	345	Without holes	2642-34504
6U	63TE	245	Perforated	2663-24514
6U	63TE	245	Without holes	2663-24504
6U	63TE	285	Perforated	2663-28514
6U	63TE	285	Without holes	2663-28504
6U	63TE	345	Perforated	2663-34514
6U	63TE	345	Without holes	2663-34504
6U	84TE	245	Perforated	2684-24514
6U	84TE	245	Without holes	2684-24504
6U	84TE	285	Perforated	2684-28514
6U	84TE	285	Without holes	2684-28504
6U	84TE	345	Perforated	2684-34514
6U	84TE	345	Without holes	2684-34504

EK&EG Series Subracks Front horizontal Rail



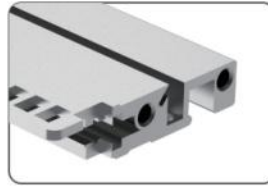
Front horizontal Rail

Order information



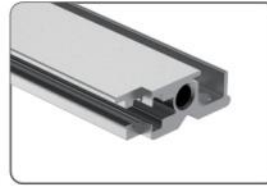
Heavy Type-EG Short Lip

Used for mounting PCB guide rail and fixing panel, suitable for EG seeding box (reinforced structure)



EG-Long Lip

For CompactPCL , VME64× systems



Light Type-EK Short Lip

Used for mounting PCB guide rail and fixing panel, suitable for EK box (economical structure)



EK-Long Lip

For CompactPCL , VME64× systems

Model	Order no	Order no	Order no	Order no
42TE	0100003	0140010	0110003	0140003
63TE	0100005	0140012	0110005	0140005
84TE	0100006	0140013	0110006	0140006
104TE	0100007	0140014	0110007	0140007

Cross Rails setting screw M4×12 1004057

EK&EG PRO Series Subracks
 EK+EG+ PRO Series Subracks
 BEK&BEG PRO Series Subracks
 Handle specification and accessories
 Guide rail specification and accessories
 19" CUR Series Subracks
 SNCF Series Subracks
 Shielded plug-in units Series Subracks
 VERO Series Subracks
 Protective Series Subracks
 CASE Series Subracks
 Type A Series Subracks
 Rugged Subracks Side panel
 IN-S Series Subracks
 Subracks Accessories
 Panel component
 Order no. and page Table

Rear horizontal Rail

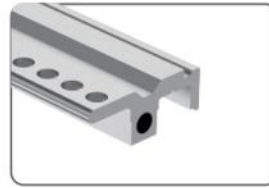
Order information



Heavy Type-EG
Use for install backplane



Heavy Type-EG-II
Use for install backplane



Light Type-EK
Use for install backplane



Light Type-EK-II
Use for install backplane

Model	Order no	Order no	Order no	Order no
42TE	0100010	0100023	0110010	0110043
63TE	0100012	0100026	0110012	0110045
84TE	0100013	0100015	0110013	0110022
104TE	0100014	0100016	0110014	0110044



Light Type EK with Z-rail
Use for install backplane

Model	Order no
42TE	0120010
63TE	0120012
84TE	0120013
104TE	0120014

EK&EG Series Subracks Middle rails



Middle Rail

Order information



Light Type-EK Middle Rail

For indirect mounting of backplanes via insulating strip, order insulating strip separately



Light Type-EK transfer Middle Rail

Use for install backplane, Use cooperatively middle rail



Light Type EK-Z Middle Rail

Use for install backplane

Model	Order no	Order no	Order no
42TE	0150003	0150010	0120017
63TE	0150005	0150012	0120019
84TE	0150006	0150013	0120020
104TE	0150007	0150014	0120021

EK&EG PRO Series Subracks
 EK+EG+ PRO Series Subracks
 BEK&BEG PRO Series Subracks
 Handle specification and accessories
 Guide rail specification and accessories
 19" CUR Series Subracks
 SNCF Series Subracks
 Shielded plug-in units Series Subracks
 VERO Series Subracks
 Protective Series Subracks
 CASE Series Subracks
 Type A Series Subracks
 Rugged Subracks Side panel
 IN-S Series Subracks
 Subracks Accessories
 Panel component
 Order no. and page Table

EK&EG Series Subracks Bracket



Bracket

Order information



Front bracket-EG

Rear bracket-EG

Front bracket-EK

Rear bracket-EK

Model	Order no	Order no	Order no	Order no
3U	0200001	0200004	0210001	0210004
4U	0200002	0200005	0210002	0210005
6U	0200003	0200006	0210003	0210006