

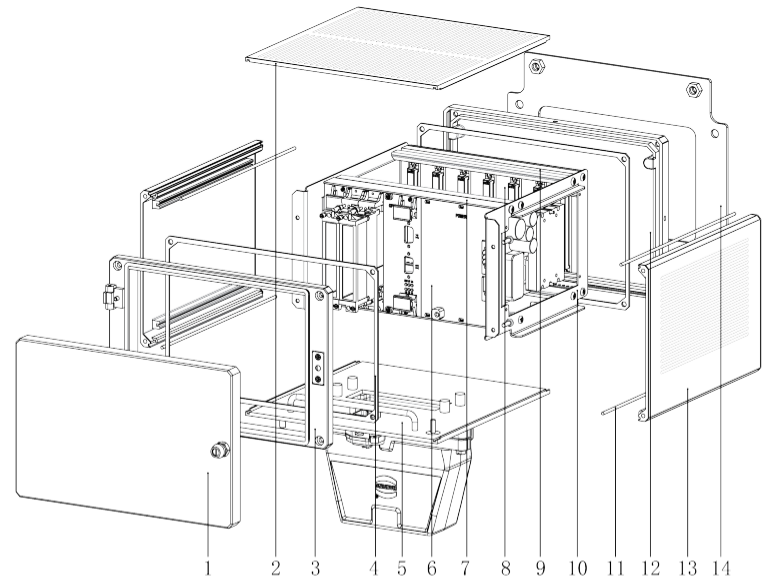
Protective Subracks

- The external and internal structure and installation dimensions of the subracks conform to the standards of GB/T19520 and GB/IEC60297.
- Equipped with Plexiglas door and lock, both dustproof and can protect the safety of internal components.
- Protective subracks can be divided into: hanging type, base type, wall-mounted type, desktop four installation methods, customers can choose different installation methods according to demands.
- It meets the standard of EN60529/IEC529, and the protection level is IP66 in the form of ventilation.
- Cabinet box, front door, back door color, size can be customized.



Delivery Comprises(kit)

Item	Name	Qty	Model
1	Front door	1	/
2	Cover plate (Top)	1	/
3	Front end cover plate	1	/
4	Cover plate gasket	2	/
5	Cover plate (Bottom)	1	/
6	Front panel	/	Choice
7	Front rails	2	/
8	Backplane	1	/
9	Rear rails	2	/
10	Inner side panel	2	/
11	Side panel gasket	4	/
12	Rear end cover plate	2	/
13	Left/right side panel	2	/
14	Adapter plate	1	/
15	Assembly components	1	/



Protective Series Subracks



Protective Subracks



Order information

Height	Width	Depth	Order no
3U	42TE	160	01316042
3U	42TE	220	01322042
3U	42TE	285	01328542
3U	63TE	160	01316063
3U	63TE	220	01322063
3U	63TE	285	01328563
3U	84TE	160	01316084
3U	84TE	220	01322084
3U	84TE	285	01328584
4U	42TE	160	01416042
4U	42TE	220	01422042
4U	42TE	285	01428542
4U	63TE	160	01416063
4U	63TE	220	01422063
4U	63TE	285	01428563
4U	84TE	160	01416084
4U	84TE	220	01422084
4U	84TE	285	01428584

EK&EG PRO Series Subracks

EK+EG+ PRO Series Subracks

BEK&BEG PRO Series Subracks

Handle specification and accessories

Guide rail specification and accessories

19"CUR Series Subracks

SNCF Series Subracks

Shielded plug-in units Series Subracks

VERO Series Subracks

Protective Series Subracks

CASE Series Subracks

Type A Series Subracks

Rugged Subracks Side panel

IN-S Series Subracks

Subracks Accessories

Panel component

Order no. and page Table