

Standards/certifications

Inner and outer dimensions meet: IEC 60297-3-101, IEC 60297-3-102, IEC 60297-3-103, IEEE 1101.1 and IEEE 1101.10/11

Type of protection IP20 in accordance with IEC 60529

EMC testing to IEC 61587-3

Shock and vibration test reports: German "Bahn" standards BN 411002, BN 411003; NF F 60002, NF F 67012

IEC 61587-2, EN 50155, part 12.2.11

Customized service

Customize the side panel of the Subracks

Panel and panel opening, screen printing

BEK&BEG PRO Series Subracks introduction

BEK&BEG PRO series Subracks is a series of Subracks products developed by **RDEKON** for the application of the 19" standard Subracks. After years of practical application shows that the BEK&BEG PRO series Subracks has stable performance, solid structure and meets all the requirements of the 19" standard size and application. At the same time, the BEK&BEG PRO series Subracks has the characteristics of high cost performance, rich components, flexible configuration and so on, which can meet the use requirements to the greatest extent

BEK&BEG PRO Series Subracks introduction

BEK&BEG PRO series Subracks is widely used in all kinds of standard electronic equipment and user-defined electronic systems, can be used to build CompactPCI, VME, VME64, PXI and other systems, can also be used as a general electronic plug-in box

RDEKON PRO 3/6U Subrack(Railway Applications)

- Unshielded and shielded versions NFF61005/60002
- Unshielded and shielded versions EN50155 subrack
- Shielded versions for CompactPCI applications



19 "Subrack Subracks

- Shock and vibration resistant to IEC 61587-2, EN 50155, NFF 67012/NF F 60002, German railway standards BN 411002/411003
- IEC 60297-3-101, IEC 60297-3-102, IEC 60297-3-103, IEEE 1101.1 and IEEE 1101.10/11 compatible
- Designed for extractor handles to IEEE 1101.10/11 and IEC 60297-3-103 for CompactPCI and VME 64x application
- EMC shielding easily retrofittable if needed

RDEKON PRO 3/6U Subrack(Kits)

- Unshielded and shielded versions
- Shielded versions for CompactPCI applications

BEK&BEG PRO Series Subracks Features

- **RDEKON** 19" Subrack subrack, manufactured by advanced technology
- BEK&BEG PRO series products meet the 19" standard, easy to assemble (Refer to the company's 19" standard summary manual for details). Fully reflected the standardization, module The characteristics and advantages of chemical and serialization.
- All series of products adopt universal standard parts combination, reflecting a high degree of flexibility, customers can according to the specific needs of the general standard parts or customized product vibration, impact test standards: according to IEC61587-1, NE50155, BN411002, NF F67012, NF F67002 test
- Complies with IEEE 1101.1 standard
- Can be used to build CompactPCI.VME, VME64 system platform
- The Subracks have good electromagnetic shielding performance

BEK PRO Economy Series Subracks



3U/4U

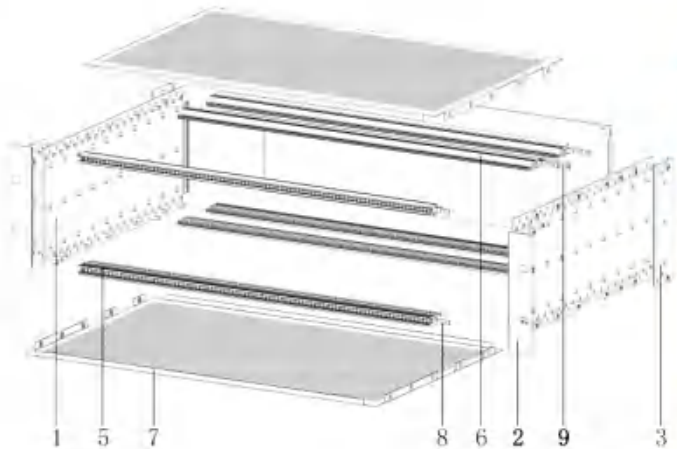
- Subrack Shielding case (CompactPCI) · Light beam, Can better reduce the weight, bearing performance unchanged
- Suitable for CompactPCI and VME64x insertion and extractor handles
- Rear horizontal rail for backplane mounting with insulation strip; For applications that install backplanes or connectors, Horizontal rails, rear, for connector mounting (IEC 60603-2 / DIN 41612)
- Typical shielding 40dB at 1 GHz, 30 dB at 2GHz (as to VG 95373 ,part15), on condition that the front is sealed with shielded front panels
- For real I/O application

Delivery Comprises(kit)

Item	Name	Qty	Model
1	Side panel	2	/
2	Front bracket	2	/
3	Rear bracket	2	/
4	Handle	2	Choice
5	Front rails	4	/
6	Rear rails	2	/
7	Cover plate	2	/

Order information

Height	Width	Depth	Model	Order no
3U	42TE	235	Perforated	5342-2351
3U	42TE	235	Without holes	5342-2350
3U	42TE	295	Perforated	5342-2951
3U	42TE	295	Without holes	5342-2950
3U	42TE	355	Perforated	5342-3551
3U	42TE	355	Without holes	5342-3550
3U	63TE	235	Perforated	5363-2351
3U	63TE	235	Without holes	5363-2350
3U	63TE	295	Perforated	5363-2951
3U	63TE	295	Without holes	5363-2950
3U	63TE	355	Perforated	5363-3551
3U	63TE	355	Without holes	5363-3550
3U	84TE	235	Perforated	5384-2351
3U	84TE	235	Without holes	5384-2350
3U	84TE	295	Perforated	5384-2951
3U	84TE	295	Without holes	5384-2950
3U	84TE	355	Perforated	5384-3551
3U	84TE	355	Without holes	5384-3550



Item	Name	Qty	Model
8	Threaded insert	6	/
9	Insulation strip	2	/
10	Perforated strip	2	/
11	EMC gasket (Front rails)	4	Choice
12	EMC gasket (Front bracket)	3	Choice
13	EMC gasket (Cover plate)	4	Choice
14	Screw installation package	1	/

Height	Width	Depth	Model	Material No
4U	42TE	235	Perforated	5442-2351
4U	42TE	235	Without holes	5442-2350
4U	42TE	295	Perforated	5442-2951
4U	42TE	295	Without holes	5442-2950
4U	42TE	355	Perforated	5442-3551
4U	42TE	355	Without holes	5442-3550
4U	63TE	235	Perforated	5463-2351
4U	63TE	235	Without holes	5463-2350
4U	63TE	295	Perforated	5463-2951
4U	63TE	295	Without holes	5463-2950
4U	63TE	355	Perforated	5463-3551
4U	63TE	355	Without holes	5463-3550
4U	84TE	235	Perforated	5484-2351
4U	84TE	235	Without holes	5484-2350
4U	84TE	295	Perforated	5484-2951
4U	84TE	295	Without holes	5484-2950
4U	84TE	355	Perforated	5484-3551
4U	84TE	355	Without holes	5484-3550

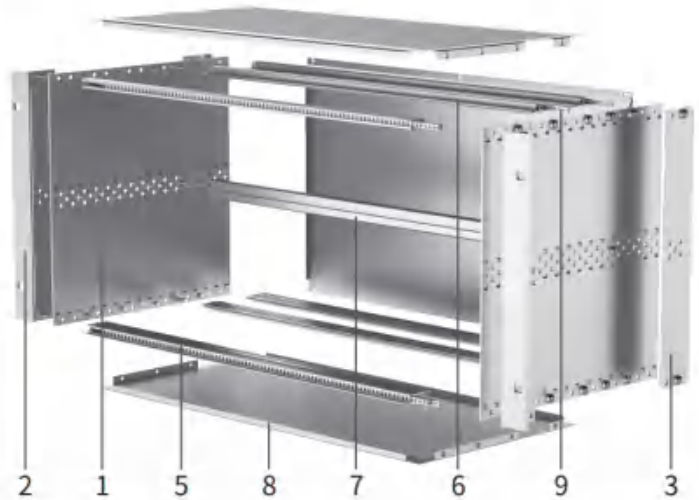
EMEG PRO Series Subracks
 EMMEG PRO Series Subracks
 EMJREG PRO Series Subracks
 Handle specification and accessories
 (side rail) specification and accessories
 19" CUR Series Subracks
 SMC Series Subracks
 Shielded plug-in units Series Subracks
 VMEG Series Subracks
 Protective Series Subracks
 CASE Series Subracks
 Type A Series Subracks
 Rugged subracks, 300 panel
 H-S Series Subracks
 Subracks Accessories
 Panel component
 Order no. (not page) Table

BEK PRO Economy Series Subracks



6U

- Subrack Shielding case (CompactPCI) · Light beam, Can better reduce the weight, bearing performance unchanged
- Suitable for CompactPCI and VME64x insertion and extractor handles
- Rear horizontal rail for backplane mounting with insulation strip; For applications that install backplanes or connectors, Horizontal rails, rear, for connector mounting (IEC 60603-2 / DIN 41612)
- Typical shielding 40dB at 1 GHz, 30 dB at 2GHz (as to VG 95373 ,part15), on condition that the front is sealed with shielded front panels
- For real I/O application



Delivery Comprises(kit)

Item	Name	Qty	Model
1	Side panel	2	/
2	Front bracket	2	/
3	Rear bracket	2	/
4	Handle	2	Choice
5	Front rails	4	/
6	Rear rails	2	/
7	Middle rails	1	/
8	Cover plate	2	/

Item	Name	Qty	Model
9	Threaded insert	8	/
10	Perforated strip	4	/
11	Insulation strip	4	/
12	EMC gasket (Front rails)	4	Choice
13	EMC gasket (Front bracket)	3	Choice
14	EMC gasket (Cover plate)	4	Choice
15	Screw installation package	1	/

Order information

Height	Width	Depth	Model	Material No
6U	42TE	235	Perforated	5642-2351
6U	42TE	235	Without holes	5642-2350
6U	42TE	295	Perforated	5642-2951
6U	42TE	295	Without holes	5642-2950
6U	42TE	355	Perforated	5642-3551
6U	42TE	355	Without holes	5642-3550
6U	63TE	235	Perforated	5663-2351
6U	63TE	235	Without holes	5663-2350
6U	63TE	295	Perforated	5663-2951
6U	63TE	295	Without holes	5663-2950
6U	63TE	355	Perforated	5663-3551
6U	63TE	355	Without holes	5663-3550
6U	84TE	235	Perforated	5684-2351
6U	84TE	235	Without holes	5684-2350
6U	84TE	295	Perforated	5684-2951
6U	84TE	295	Without holes	5684-2950
6U	84TE	355	Perforated	5684-3551
6U	84TE	355	Without holes	5684-3550

BEG PRO Rugged Series Subracks



3U/4U

- Subrack Shielding case (CompactPCI) · Heavy beam, Provide better load-bearing performance
- Suitable for CompactPCI and VME64x insertion and extractor handles
- Rear horizontal rail for backplane mounting with insulation strip; For applications that install backplanes or connectors, Horizontal rails, rear, for connector mounting (IEC 60603-2 / DIN 41612)
- Typical shielding 40dB at 1 GHz, 30 dB at 2GHz (as to VG 95373 ,part15), on condition that the front is sealed with shielded front panels
- For real I/O application



Delivery Comprises(kit)

Item	Name	Qty	Model
1	Side panel	2	/
2	Front bracket	2	/
3	Rear bracket	2	/
4	Handle	2	Choice
5	Front rails	4	/
6	Rear rails	2	/
7	Cover plate	2	/

Item	Name	Qty	Model
8	Threaded insert	6	/
9	Perforated strip	2	/
10	Insulation strip	2	/
11	EMC gasket (Front rails)	4	Choice
12	EMC gasket (Front bracket)	3	Choice
13	EMC gasket (Cover plate)	4	Choice
14	Screw installation package	1	/

Order information

Height	Width	Depth	Model	Order no
3U	42TE	235	Perforated	6342-2351
3U	42TE	235	Without holes	6342-2350
3U	42TE	295	Perforated	6342-2951
3U	42TE	295	Without holes	6342-2950
3U	42TE	355	Perforated	6342-3551
3U	42TE	355	Without holes	6342-3550
3U	63TE	235	Perforated	6363-2351
3U	63TE	235	Without holes	6363-2350
3U	63TE	295	Perforated	6363-2951
3U	63TE	295	Without holes	6363-2950
3U	63TE	355	Perforated	6363-3551
3U	63TE	355	Without holes	6363-3550
3U	84TE	235	Perforated	6384-2351
3U	84TE	235	Without holes	6384-2350
3U	84TE	295	Perforated	6384-2951
3U	84TE	295	Without holes	6384-2950
3U	84TE	355	Perforated	6384-3551
3U	84TE	355	Without holes	6384-3550

Height	Width	Depth	Model	Order no
4U	42TE	235	Perforated	6442-2351
4U	42TE	235	Without holes	6442-2350
4U	42TE	295	Perforated	6442-2951
4U	42TE	295	Without holes	6442-2950
4U	42TE	355	Perforated	6442-3551
4U	42TE	355	Without holes	6442-3550
4U	63TE	235	Perforated	6463-2351
4U	63TE	235	Without holes	6463-2350
4U	63TE	295	Perforated	6463-2951
4U	63TE	295	Without holes	6463-2950
4U	63TE	355	Perforated	6463-3551
4U	63TE	355	Without holes	6463-3550
4U	84TE	235	Perforated	6484-2351
4U	84TE	235	Without holes	6484-2350
4U	84TE	295	Perforated	6484-2951
4U	84TE	295	Without holes	6484-2950
4U	84TE	355	Perforated	6484-3551
4U	84TE	355	Without holes	6484-3550

EMEG PRO Series Subracks
 DR-MEGA PRO Series Subracks
 BEG PRO Series Subracks
 Handle specification and accessories
 Guide rail specification and accessories
 3U/4U Series Subracks
 5MCF Series Subracks
 Shielded plug-in units Series Subracks
 VME Series Subracks
 Precision Series Subracks
 CASE Series Subracks
 Type A Series Subracks
 Rugged Subracks Slot panel
 H-S Series Subracks
 Subracks Accessories
 Panel component
 Order no. and page table

BEG PRO Rugged Series Subracks

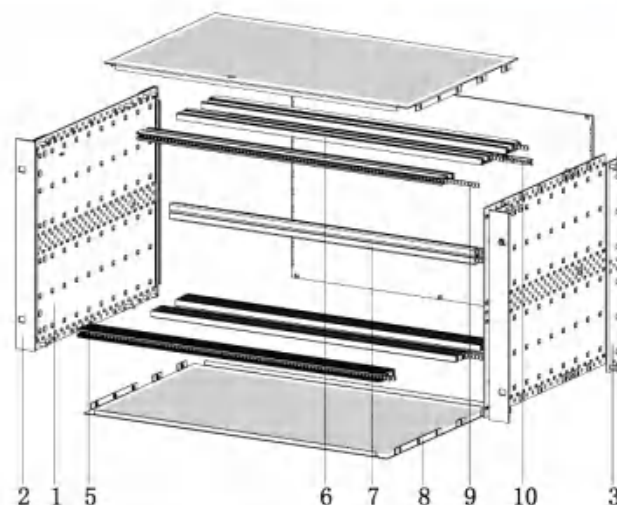


6U

- Subrack Shielding case (CompactPCI) · Heavy beam, Provide better load-bearing performance
- Suitable for CompactPCI and VME64x insertion and extractor handles
- Rear horizontal rail for backplane mounting with insulation strip; For applications that install backplanes or connectors, Horizontal rails, rear, for connector mounting (IEC 60603-2 / DIN 41612)
- Typical shielding 40dB at 1 GHz, 30 dB at 2GHz (as to VG 95373 ,part15), on condition that the front is sealed with shielded front panels
- For real I/O application

Delivery Comprises(kit)

Item	Name	Qty	Model
1	Side panel	2	/
2	Front bracket	2	/
3	Rear bracket	2	/
4	Handle	2	Choice
5	Front rails	4	/
6	Rear rails	2	/
7	Middle rails	1	/
8	Cover plate	2	/



Item	Name	Qty	Model
9	Threaded insert	8	/
10	Insulation strip	4	/
11	Perforated strip	4	/
12	EMC gasket (Front rails)	4	Choice
13	EMC gasket (Front bracket)	3	Choice
14	EMC gasket (Cover plate)	4	Choice
15	Screw installation package	1	/

Order information

Height	Width	Depth	Model	Material No
6U	42TE	235	Perforated	6642-2351
6U	42TE	235	Without holes	6642-2350
6U	42TE	295	Perforated	6642-2951
6U	42TE	295	Without holes	6642-2950
6U	42TE	355	Perforated	6642-3551
6U	42TE	355	Without holes	6642-3550
6U	63TE	235	Perforated	6663-2351
6U	63TE	235	Without holes	6663-2350
6U	63TE	295	Perforated	6663-2951
6U	63TE	295	Without holes	6663-2950
6U	63TE	355	Perforated	6663-3551
6U	63TE	355	Without holes	6663-3550
6U	84TE	235	Perforated	6684-2351
6U	84TE	235	Without holes	6684-2350
6U	84TE	295	Perforated	6684-2951
6U	84TE	295	Without holes	6684-2950
6U	84TE	355	Perforated	6684-3551
6U	84TE	355	Without holes	6684-3550

BEK&BEG PRO Series Subracks Front horizontal Rail



Front horizontal Rail

Order information



Heavy Type-BEG Short Lip

Installing a midplane



Light Type-BEK Short Lip

Installing a midplane

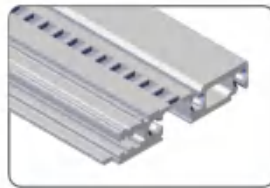


BEG-Long Lip

For plug-in units with IEEE handle
For CompactPCI, VME64x systems

Model	Order no	Order no	Order no
42TE	009024201	009014203	009024203
63TE	009026301	009016303	009026304
84TE	009028401	009018401	009028403
104TE	0090210401	0090110401	0090210405

Cross Rails setting
screw M4×12 1004057



Rugged Short Lip

Installing a midplane



Rugged Long Lip

Installing a midplane

Model	Order no	Order no
42TE	009034201	009034202
63TE	009036301	009036302
84TE	009038401	009038402
104TE	0090310401	0090310402

EM&EG PRO Series Subracks
EK+MEG+ PRO Series Subracks
BEK&BEG PRO Series Subracks
Handle specification and accessories
Guide rail specification and accessories
19" CUR Series Subracks
SNCF Series subracks
Shielded plug-in units Series Subracks
VERO Series Subracks
Protective Series Subracks
CASE Series Subracks
Type A Series Subracks
Rugged Subracks Side panel
IN-S Series Subracks
Subracks Accessories
Panel component
Order no. and page Table

BEK&BEG PRO Series Subracks Rear horizontal Rail



Rear horizontal Rail

Order information



Heavy Type-BEG

For indirect mounting of backplanes via insulation strip, order insulation strip separately



Heavy Type-BEG-Z

For direct backplane assembly



Light Type-BEK

For indirect mounting of backplanes via insulation strip, order insulation strip separately



Light Type-BEK-Z

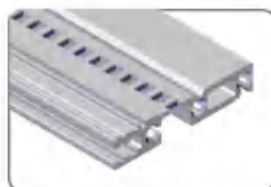
For direct backplane assembly

Model	Order no	Order no	Order no	Order no
42TE	009024204	009024202	009014202	009114202
63TE	009026302	009026303	009116301	009116302
84TE	009028402	009028404	009018402	009018403
104TE	0090210402	0090210403	0090110402	0090110403



Rugged Horizontal Rail

For indirect mounting of backplanes via insulation strip, order insulation strip separately



Rugged Horizontal Rail-Z

For direct backplane assembly



BEK With integral Z rail Rear rails

For direct mounting of connectors according to EN60603-2(DIN60297)



BEG With integral Z rail Rear rails

For direct mounting of connectors according to EN60603-2(DIN60297)

Model	Order no	Order no	Order no	Order no
42TE	009034203	009034204	009014205	009024205
63TE	009036303	009036304	009016304	009026305
84TE	009038403	009038404	009018404	009028405
104TE	0090310403	0090310404	0090110404	0090210404

BEK&BEG PRO Series Subracks Middle rails



Middle rails

Order information



Light Type BEK Middle Rail

For indirect mounting of backplanes via insulation strip, order insulation strip separately



Light Type BEK-Z Middle Rail

For direct backplane assembly



BEK With integral Z rail Middle rails

For direct mounting of connectors according to EN60603-2(DIN60297)

Model	Order no	Order no	Order no
42TE	009014208	009014207	009014209
63TE	009016308	009016307	009016309
84TE	009018408	009018407	009018405
104TE	0090110408	0090110407	0090110409

BEK&BEG PRO Series Subracks
BEK&BEG PRO Series Subracks
BEK&BEG PRO Series Subracks
Handle specification and accessories
Guide rail specification and accessories
19" 1U Series Subracks
SNIP Series Subracks
Stacked multi-unit Series Subracks
VERO Series Subracks
Protective Series Subracks
CASE Series Subracks
Type A Series Subracks
Rugged Subracks Side panel
IH-5 Series Subracks
Subracks Accessories
Panel component
Order no. and page Table

BEK&BEG PRO Series Subracks Front and Rear Rail



Front and Rear Rail

Order information



Front and Rear Rail

For CompactPCI at rear/O-area
and 3,6U assembly

Model	Order no
42TE	009014206
63TE	009016306
84TE	009018406
104TE	0090110406

BEK&BEG PRO Series Subracks Side panel type F



Side panel type F

Order information

Height U	Depth mm	Side panel type F	19"bracket without handle holes	19"bracket with handle holes	19"bracket depth-adjustable	Wall-mounting bracket	Rear angle for stainless steel gasket	EMC stainless steel gasket
3	175	01131750						
3	235	01132350						
3	295	01132950	01131751	01131752	01131753	01131754	01131755	1008007
3	355	01133550						
3	415	01134150						
4	175	01141750						
4	235	01142350						
4	295	01142950	01141751	01141752	01141753	01141754	01141755	1008008
4	355	01143550						
4	415	01144150						
5	175	01151750						
5	235	01152350						
5	295	01152950	01151751	01151752	01151753	01151754	01151755	-
5	355	01153550						
5	415	01154150						
6	175	01161750						
6	235	01162350						
6	295	01162950	01161751	01161752	01161753	01161754	01161755	1008009
6	355	01163550						
6	415	01164150						
9	175	01191750						
9	235	01192350						
9	295	01192950	01191751	01191752	01191753	01191754	01191755	-
9	355	01193550						
9	415	01194150						
Screw, M4*14		1004229	1004229	1004229	1004229	-	1004229	-

Note :

- CompactPCI
- VME64x
- Grid holes of side panel 3 + 1 U
- Grid holes of side panel 1+3+1U

BEK&BEG PRO Series Subracks

Side panel type F



Side panel type F

Order information

Height U	Depth mm	Side panel type F						EMC textile gasket
			19"bracket without handle holes	19"bracket with handle holes	19"bracket depth-adjustable	Wall-mounting bracket	Rear angle for stainless steel gasket	
3	175	01131750						
3	235	01132350						
3	295	01132950	02131751	02131752	01131753	01131754	02131755	1008037
3	355	01133550						
3	415	01134150						
4	175	01141750						
4	235	01142350						
4	295	01142950	02141751	02141752	01141753	01141754	02141755	1008045
4	355	01143550						
4	415	01144150						
5	175	01151750						
5	235	01152350						
5	295	01152950	02151751	02151752	01151753	01151754	02151755	1008053
5	355	01153550						
5	415	01154150						
6	175	01161750						
6	235	01162350						
6	295	01162950	02161751	02161752	01161753	01161754	02161755	1008038
6	355	01163550						
6	415	01164150						
9	175	01191750						
9	235	01192350						
9	295	01192950	02191751	02191752	01191753	01191754	02191755	1008054
9	355	01193550						
9	415	01194150						
Screw, M4*14		1004229	1004229	1004229	1004229	-	1004229	-

Note :

- CompactPCI
- VME64x
- Grid holes of side panel 3 U+ 1 U
- Grid holes of side panel 1U+3U+1U

BEK&BEG PRO Series Subracks

Side panel type F&H



Side panel type F&H

Order information

Height U	Depth mm	Side panel type L	Front cover for type L
3	175	01231756	02231756
3	235	01232356	
3	295	01232956	
6	175	01261756	02261756
6	235	01262356	
6	295	01262956	
Screw, M4*14		1004229	-

Side panel type H

Order information

Height U	Depth mm	Type H without handle holes	Type H with handle holes	EMC stainless steel gasket	Height U	Depth mm	Type H without handle holes	Type H with handle holes	EMC textile gasket
3	175	01331757	01331758	1008007	3	175	02331757	02331758	1008037
3	235	01332357	01332358		3	235	02332357	02332358	
3	295	01332957	01332958		3	295	02332957	02332958	
3	355	01333557	01333558		3	355	02333557	02333558	
6	175	01361757	01361758	1008009	6	175	02361757	02361758	1008038
6	235	01362357	01362358		6	235	02362357	02362358	
6	295	01362957	01362958		6	295	02362957	02362958	
6	355	01363557	01363558		6	355	02363557	02363558	
Screw, M4*14		1004229	1004229	-	Screw, M4*14		1004229	1004229	-

Note :

- Beam fixing screws need to be ordered separately

BEK&BEG PRO Series Subracks
BEK&BEG PRO Series Subracks
BEK&BEG PRO Series Subracks
Handle specification and accessories
Guide rail specification and accessories
IP-CUR Series Subracks
SNCF Series Subracks
Shielded plug-in units Series Subracks
VERO Series Subracks
Protective Series Subracks
CASE Series Subracks
Type A Series Subracks
Rugged Subracks Side panel
IN-S Series Subracks
Subracks Accessories
Panel component
Order no. and page Table

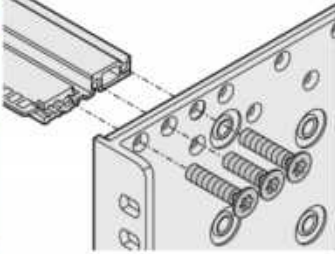

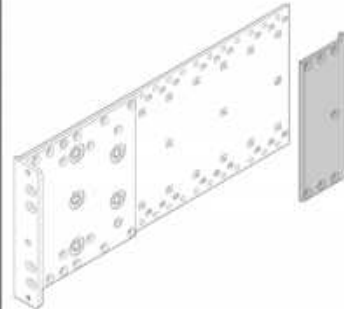
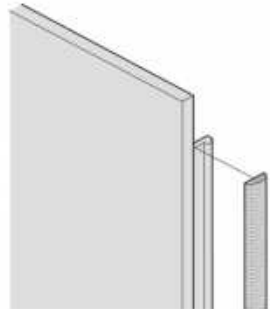
BEK&BEG PRO Series Subracks

Side panel type R



Side panel type R

Order information

				
Height U	Depth mm	Side panel type F	Rear angle for stainless steel gasket	EMC textile gasket
3	175	02431752	02431752	1008037
3	235	02432352		
3	295	02432952		
3	355	02433552		
3	415	02434152		
6	175	02461752	02461752	1008045
6	235	02462352		
6	295	02462952		
6	355	02463552		
6	415	02464152		
Screw, M4*14		1004229	1004229	-

BEK&BEG PRO Series Subracks Supporting member



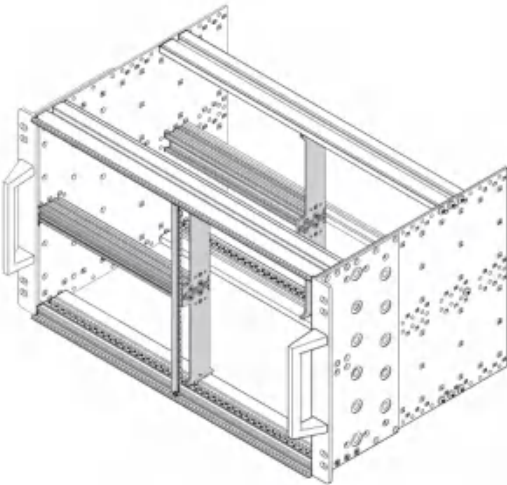
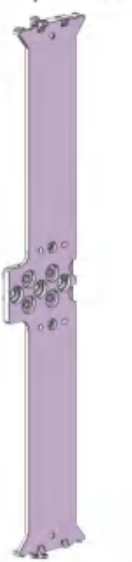

Die cast support components

Product description

- Please order the middle horizontal crossbeam separately (BEK Horizontal Rail, BEG Horizontal Rail, front and rear inserted crossbeam)
- Splices are used for combined installation in a single box (convenient for installing 6U devices and 2 x 3U devices)
- The front of the chassis must be covered with a 2HP front panel

Material and finish

- Aluminum alloy die-casting
- Surface treatment: galvanized

	Die cast support components	Front panel
		
Height U	2 Pieces/Pack	1 Piece
6	1048001	1048002

Annex

Collar screw with Pozidrive/slot M2.5x12, Steel nickel plating, 100 Pieces/Package	00100008
Shim 2.7x5x1, Material Quality PA6, 100 Pieces/Package	00100066
EMC textile gasket UL 94V-0, 1 Piece	1008038

BEK&BEG PRO Series Subracks
BEK&BEG+PRO Series Subracks
BEK&BEG PRO Series Subracks
Handle specification and accessories
Guide rail specification and accessories
19"CLR Series Subracks
SHCF Series Subracks
Shielded plug-in units Series Subracks
VERO Series Subracks
Protective Series Subracks
CASE Series Subracks
Type A Series Subracks
Rugged Subracks Side panel
IN-S Series Subracks
Subracks Accessories
Panel component
Order no. and page Table