

## Guide rail

### Product description

- For 1.6-2.0mm thickness PCB boards
- Codable, coding chamber for mounting coding pegs
- Different color forms are used to identify different slots
- Red for system slots
- Green for power supply
- Grey and yellow for plug-in components
- Only available for EK&EG, EK+&EG+ series subracks

### Performance description

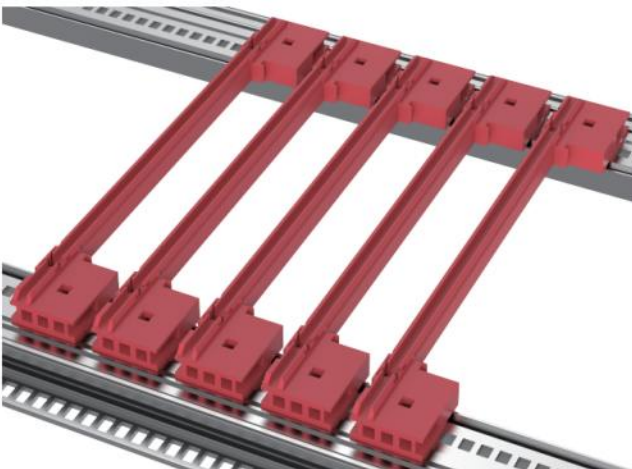
- Conformity to standards: EN 45545-2:2013+A1:2015(E)
- Aging standard: GB/T7141-2008,,90°C,6h
- Fire protection standard: EN 45545-2:2013+A1:2015(E)
- Embrittlement standard: GB/T5470-2008, -55°C
- ROHS standard: 2011/65/EU

### Material and finish

PC+20%GF  
PC+20%GF



CPCI Guide rail



Square guide rail

### Order information

Board height	Groove width	Color	Colour code	Order no
160	2	Green	RAL6024	1001047
220	2	Grey	RAL7044	1001054

### Order information

Board height	Groove width	Color	Colour code	Order no
80	2	Grey	RAL7044	1001071
80	2	Green	RAL6024	1001134
80	2	Black	RAL9011	1001133
80	2	Red	RAL3031	1001006
80	2	Yellow	RAL1003	1001007
160	2	Grey	RAL7044	1001001
160	2	Green	RAL6024	1001002
160	2	Yellow	RAL1003	1001003
160	2	Black	RAL9011	1001004
160	2	Red	RAL3031	1001005
220	2	Grey	RAL7044	1001012
220	2	Green	RAL6024	1001009
220	2	Yellow	RAL1003	1001011
220	2	Black	RAL9011	1001008
220	2	Red	RAL3031	1001010

### Order information

Board height	Groove width	Color	Colour code	Order no
160	2	Red	RAL3031	1001051
160	2	Grey	RAL7044	1001014
220	2	Red	RAL3031	1001052
220	2	Grey	RAL7044	1001017

## Guide rail

### Product description

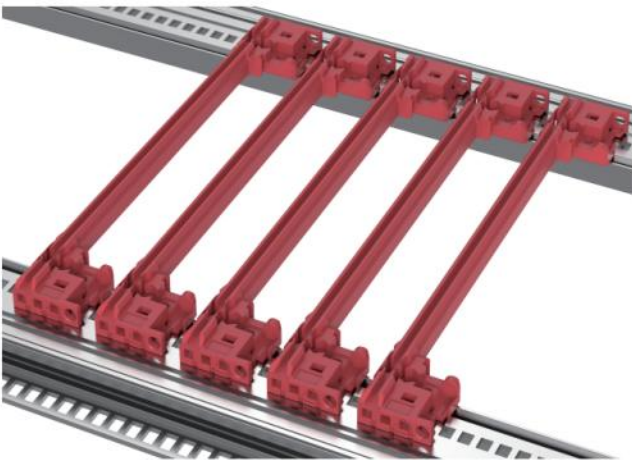
- For 1.6-2.0mm thickness PCB boards
- Codable, coding chamber for mounting coding pegs
- Different color forms are used to identify different slots
- Red for system slots
- Green for power supply
- Grey and yellow for plug-in components
- Only available for BEK&BEG series subracks

### Performance description

- Conformity to standards: EN 45545-2:2013+A1:2015(E)
- Aging standard: GB/T7141-2008,,90°C,6h
- Fire protection standard: EN 45545-2:2013+A1:2015(E)
- Embrittlement standard: GB/T5470-2008, -55°C
- ROHS standard: 2011/65/EU

### Material and finish

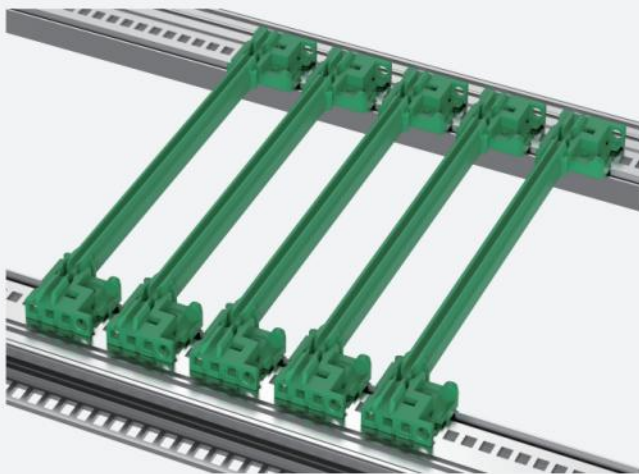
PC+20%GF  
PC+20%GF



Type B CPCI guide rail

### Order information

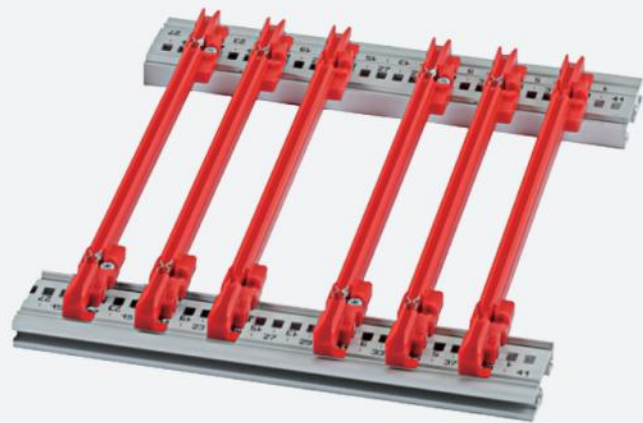
Board height	Groove width	Color	Colour code	Order no
70	2	Grey	RAL7044	1001125
70	2	Red	RAL3031	1001124
160	2	Grey	RAL7044	1001018
160	2	Red	RAL3031	1001019
220	2	Grey	RAL7044	1001131
220	2	Red	RAL3031	1001113



Type B CPCI offset guide rail

### Order information

Board height	Groove width	Color	Color code	Order no
160	2	Green	RAL6024	1001096



Type B standard guide rail

### Order information

Board height	Groove width	Color	Colour code	Order no
70	2	Red	RAL3031	1001102
160	2	Red	RAL3031	1001020
220	2	Red	RAL3031	1001015

EM&EG PRO Series Subracks
EK&EG+ PRO Series Subracks
BEK&BEG PRO Series Subracks
Handle specification and accessories
Guide rail specification and accessories
19" CUR Series Subracks
SINCF Series Subracks
Shielded plug-in units Series Subracks
VERO Series Subracks
Protective Series Subracks
CASE Series Subracks
Type A Series Subracks
Rugged Subracks Side panel
IN-S Series Subracks
Subracks Accessories
Panel component
Order no. and page table



## Guide rail

### Product description

- For 1.6-2.0mm thickness PCB boards.
- Codable, coding chamber for mounting coding pegs
- Different color forms are used to identify different slots
- Red for system slots
- Green for power supply
- Grey and yellow for plug-in components
- Only available for EK&EG, EK+&EG+ series subracks

### Performance description

- Conformity to standards: EN 45545-2:2013+A1:2015(E)
- Aging standard: GB/T7141-2008,,90°C,6h
- Fire protection standard: EN 45545-2:2013+A1:2015(E)
- Embrittlement standard: GB/T5470-2008, -55°C
- ROHS standard: 2011/65/EU

### Material and finish

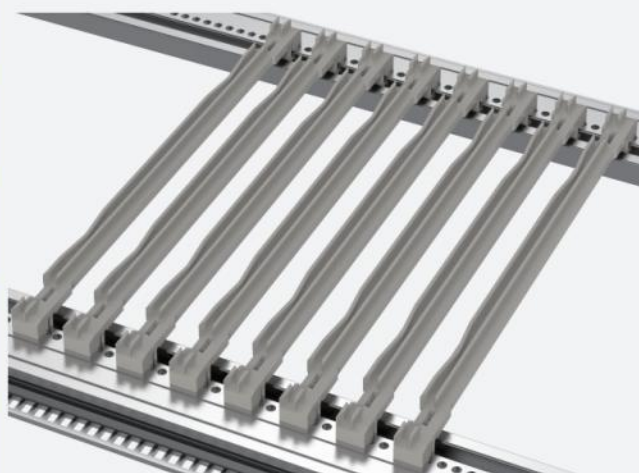
PC+20%GF  
PC+20%GF



Type F Guide rail

### Order information

Board height	Groove width	Color	Colour code	Order no
160	2	Grey	RAL7032	1001049
220	2	Grey	RAL7032	1001048



Clip guide rail

### Order information

Board height	Groove width	Color	Colour code	Order no
160	2	Grey	RAL7044	1001045
160	2	Yellow	RAL1003	1001046
220	2	Grey	RAL7044	1001044

## Guide rail

### Product description

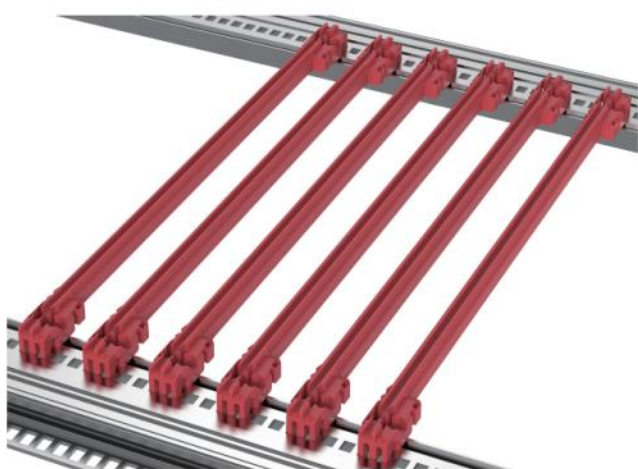
- For 1.6-2.0mm thickness PCB boards
- Codable, coding chamber for mounting coding pegs
- Different color forms are used to identify different slots
- Red for system slots
- Green for power supply
- Grey and yellow for plug-in components
- Only available for BEK&BEG series subracks

### Performance description

- Conformity to standards: EN 45545-2:2013+A1:2015(E)
- Aging standard: GB/T7141-2008,,90°C,6h
- Fire protection standard: EN 45545-2:2013+A1:2015(E)
- Embrittlement standard: GB/T5470-2008, -55°C
- ROHS standard: 2011/65/EU

### Material and finish

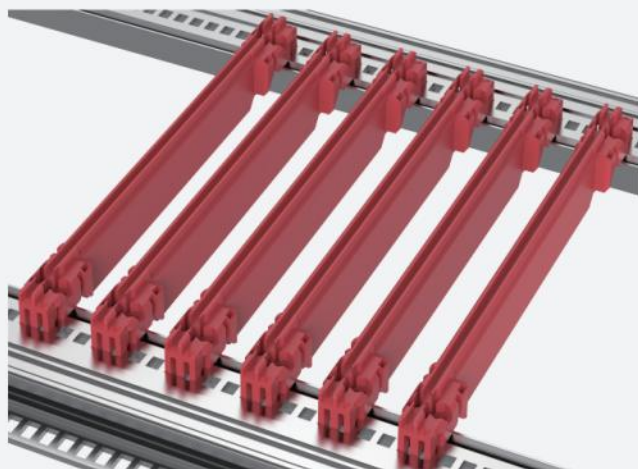
PC+20%GF  
PC+20%GF



Type B short guide rail

### Order information

Board height	Groove width	Color	Colour code	Order no
100	2	Grey	RAL7044	1001116
100	2	Red	RAL3031	1001103
160	2	Grey	RAL7044	1001153
160	2	Green	RAL6018	1001154
160	2	Red	RAL3031	1001147
220	2	Grey	RAL7044	1001119
220	2	Red	RAL3031	1001108



Type B enhanced guide rail

### Order information

Board height	Groove width	Color	Colour code	Order no
160	2	Grey	RAL7032	1001121
160	2	Red	RAL3031	1001120
220	2	Grey	RAL7032	1001104
220	2	Red	RAL3031	1001099
280	2	Grey	RAL7032	1001123
280	2	Red	RAL3031	1001122

- EK&EG PRO Series Subracks
- EK+EG+PRO Series Subracks
- BEK&BEG PRO Series Subracks
- Handle specification and accessories
- Guide rail specification and accessories
- 19"CUR Series Subracks
- SNCF Series Subracks
- Shielded plug-in units Series Subracks
- VERO Series Subracks
- Protective Series Subracks
- CASE Series Subracks
- Type A Series Subracks
- Rugged Subracks Side panel
- IN-S Series Subracks
- Subracks Accessories
- Panel component
- Order no. and page Table



## Guide rail

### Delivery includes

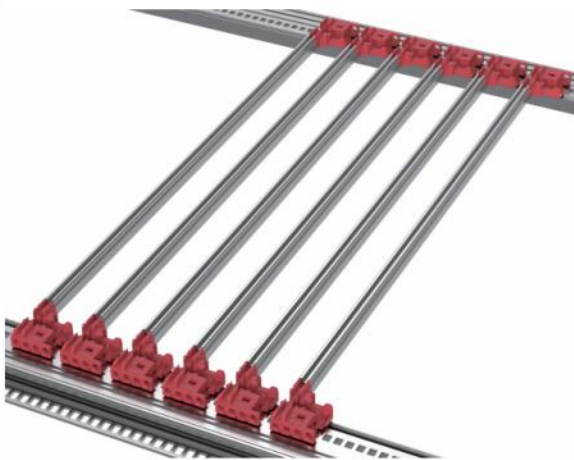
Name	Qty	Description
End piece (top)	1	Used for 1.6-2.0mm thickness PCB board, material PC+20%GF
End piece (Bottom)	1	Used for 1.6-2.0mm thickness PCB board, material PC+20%GF
The middle part guide rail	1	Aluminum profile, board length can be customized, used for any length of board

### Performance description

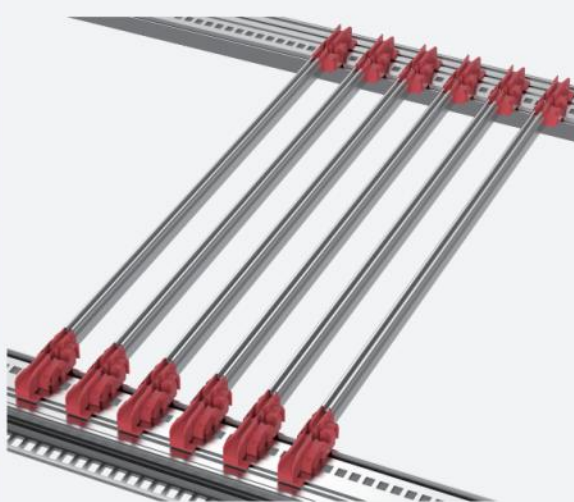
- Conformity to standards: EN 45545-2:2013+A1:2015(E)
- Aging standard: GB/T7141-2008,,90°C,6h
- Fire protection standard: EN 45545-2:2013+A1:2015(E)
- Embrittlement standard: GB/T5470-2008, -55°C
- ROHS standard: 2011/65/EU
- Only available for EK&EG, EK+&EG+ series subracks

### Order information

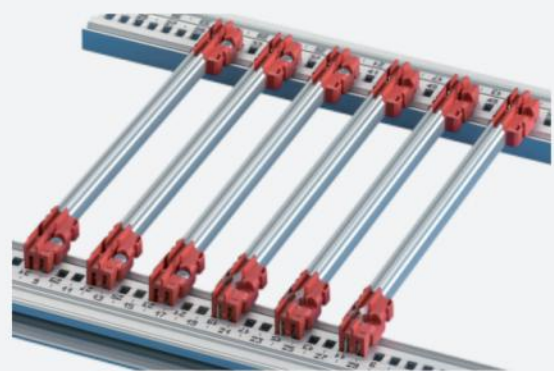
Groove width	Color	Colour code	Order no
2	Red	RAL3031	1001132
2	Grey	RAL7044	1001143



Multi piece type B CPCI guide rail



Multi piece type B guide rail



Multi piece type B short guide rail

### Order information

Groove width	Color	Colour code	Order no
2	Red	RAL3031	1001105
2	Grey	RAL7044	1001106

### Order information

Groove width	Color	Colour code	Order no
2	Red	RAL3031	1001149

## Guide rail

### Delivery includes

Name	Qty	Description
End piece (top)	1	Used for 1.6-2.0mm thickness PCB board, material PC+20%GF
End piece (Bottom )	1	Used for 1.6-2.0mm thickness PCB board, material PC+20%GF
The middle part guide rail	1	Aluminum profile, board length can be customized, used for any length of board



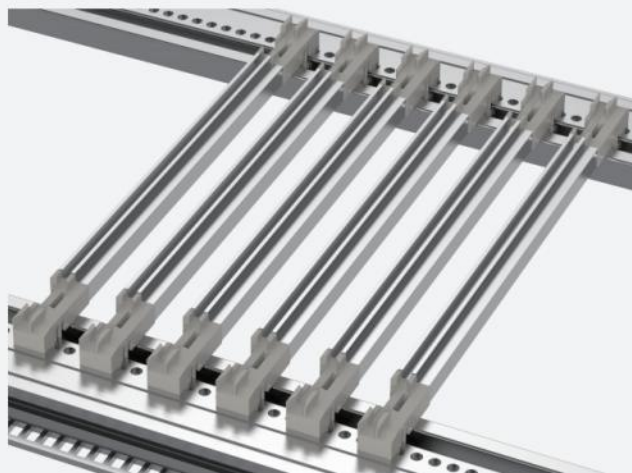
Multi piece type F guide rail

### Performance description

- Conformity to standards: EN 45545-2:2013+A1:2015(E)
- Aging standard: GB/T7141-2008,,90°C,6h
- Fire protection standard: EN 45545-2:2013+A1:2015(E)
- Embrittlement standard: GB/T5470-2008, -55°C
- ROHS standard: 2011/65/EU
- Only available for EK&EG、EK+&EG+ series subracks

### Order information

Groove width	Color	Colour code	Order no
2	Grey	RAL7032	1001042
2	Grey	RAL7032	1001043



Multi piece type Clip guide rail

### Order information

Groove width	Color	Colour code	Order no
2	Grey	RAL7044	1001040
2	Grey	RAL7044	1001041

EK&EG PRO Series Subracks

EK+&EG+ PRO Series Subracks

BEK&BEG PRO Series Subracks

Handle specification and accessories

Guide rail specification and accessories

19" CUR Series Subracks

SNCF Series Subracks

Shielded plug-in units Series Subracks

VERO Series Subracks

Protective Series Subracks

CASE Series Subracks

Type A Series Subracks

Rugged Subracks Side panel

IN-S Series Subracks

Subracks Accessories

Panel component

Order no. and page Table

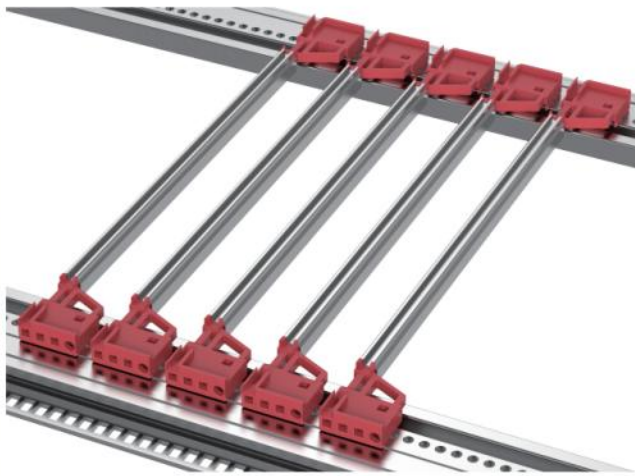
## Guide rail

### Delivery includes

Name	Qty	Description
End piece (top)	1	Used for 1.6-2.0mm thickness PCB board, material PC+20%GF
End piece (Bottom )	1	Used for 1.6-2.0mm thickness PCB board, material PC+20%GF
The middle part guide rail	1	Aluminum profile, board length can be customized, used for any length of board

### Performance description

- Conformity to standards: EN 45545-2:2013+A1:2015(E)
- Aging standard: GB/T7141-2008,,90°C,6h
- Fire protection standard: EN 45545-2:2013+A1:2015(E)
- Embrittlement standard: GB/T5470-2008, -55°C
- ROHS standard: 2011/65/EU
- Only available for EK&EG、EK+&EG+ series subracks



Multi piece type CPCI guide rail

### Order information

Groove width	Color	Colour code	Order no
2	Red	RAL3031	1001038
2	Grey	RAL7044	1001039



## Heavy-duty guide rail

### Product description

- Used for 1.6-2.0mm thick PCB boards
- Commonly used for installing heavier card modules
- Screw fixation to BEG square hole front beam, BEG front beam or reinforced mold beam, with fastening screws
- Suitable for BEG series chassis

### Performance description

- Conformity to standards: EN 45545-2:2013+A1:2015(E)
- Aging standard: GB/T7141-2008,,90°C,6h
- Fire protection standard: EN 45545-2:2013+A1:2015(E)
- Embrittlement standard: GB/T5470-2008, -55°C
- ROHS standard: 2011/65/EU

### Material and finish

- Extruded aluminum profile: 6063-T5
- Surface treatment: anodizing



Heavy-duty guide rail

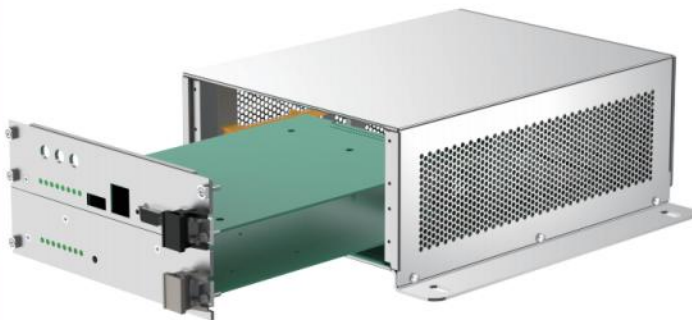
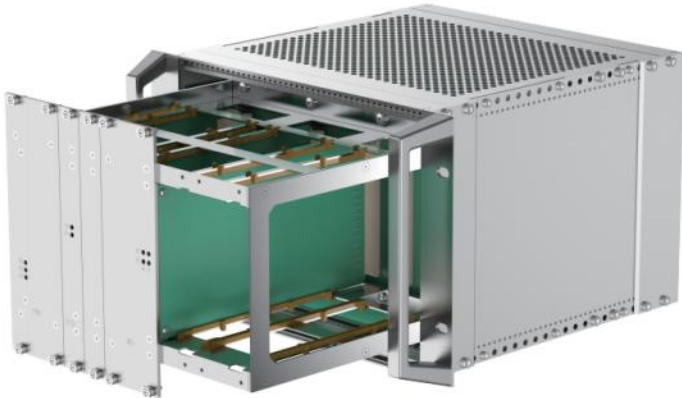
### Order information

Board height	Groove width	Color	Order no
160	2	Silvery	1001167
220	2	Silvery	1001168
280	2	Silvery	1001163
340	2	Silvery	1001151
400	2	Silvery	1001155
160	2.5	Silvery	1001171
220	2.5	Silvery	1001135
280	2.5	Silvery	1001136
340	2.5	Silvery	1001137
400	2.5	Silvery	1001138

EK&EG PRO Series Subracks  
 EK+EG+PRO Series Subracks  
 BEK&BEG PRO Series Subracks  
 Handle specification and accessories  
 Guide rail specification and accessories  
 19"CUR Series Subracks  
 SNCF Series Subracks  
 Shielded plug-in units Series Subracks  
 VERO Series Subracks  
 Protective Series Subracks  
 CASE Series Subracks  
 Type A Series Subracks  
 Rugged Subracks Side panel  
 IN-S Series Subracks  
 Subracks Accessories  
 Panel component  
 Order no. and page Table



## H Guide rail



### Product description

- Multiple installation modes to satisfy different requirements
- Suitable for various types (standard and non-standard) of boards and various insert boxes
- (standard and non-standard) between a variety of installation and cooperation
- Slot width 2.3, suitable for 1.6-2.0 thickness of PCB boards

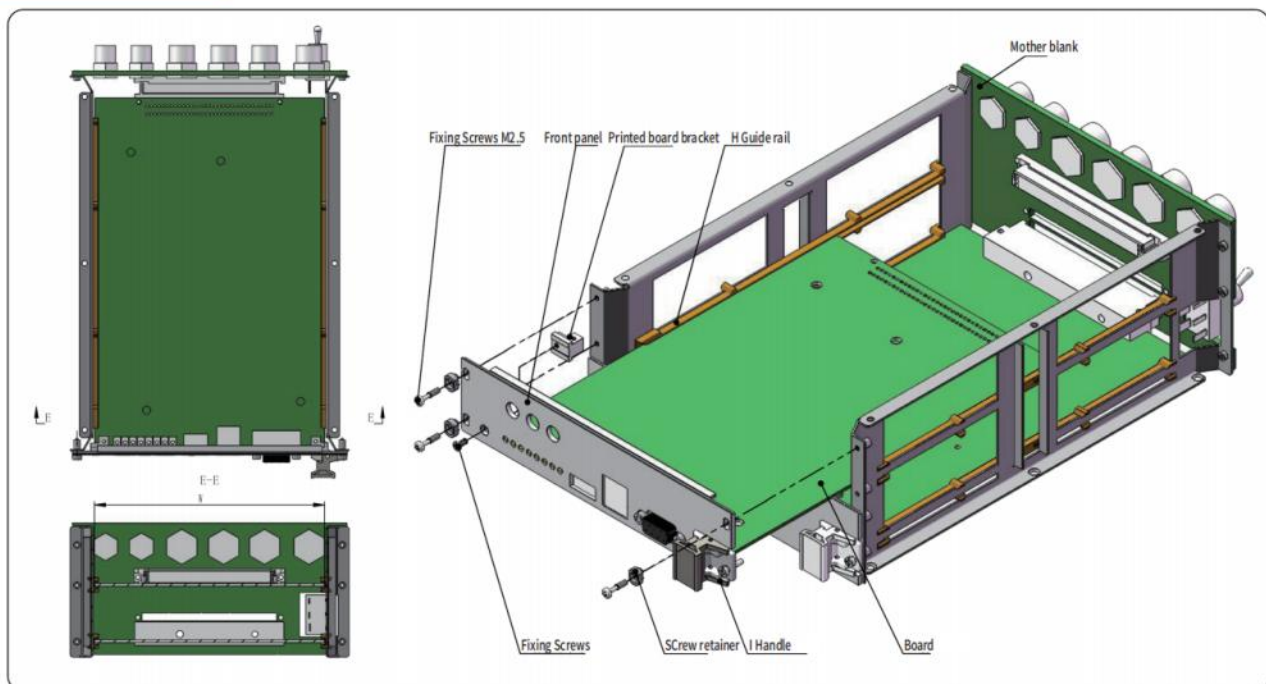
### Performance description

- Compliant with IE60297
- Conformity to standards: EN 45545-2:2013+A1:2015(E)
- Aging standard: GB/T7141-2008,,90°C,6h
- Fire protection standard: EN 45545-2:2013+A1:2015(E)
- Embrittlement standard: GB/T5470-2008, -55°C
- ROHS standard: 2011/65/EU

### Material and finish

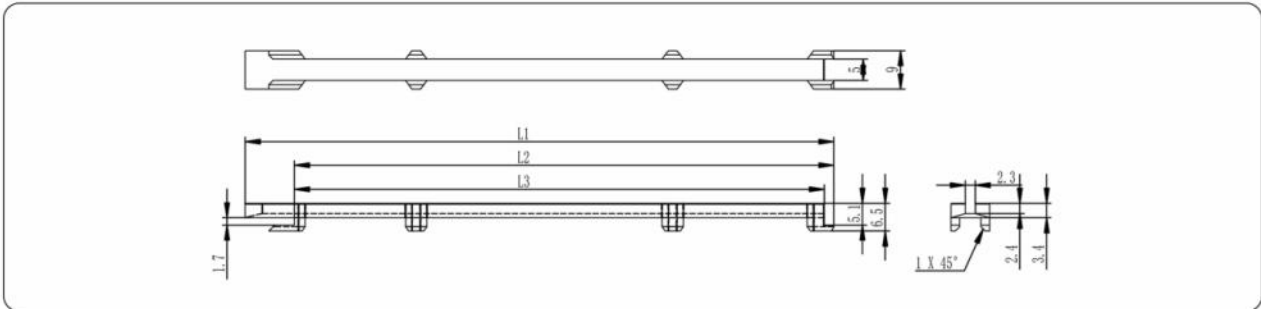
- PC+20%GF

### Guide rail Schematic

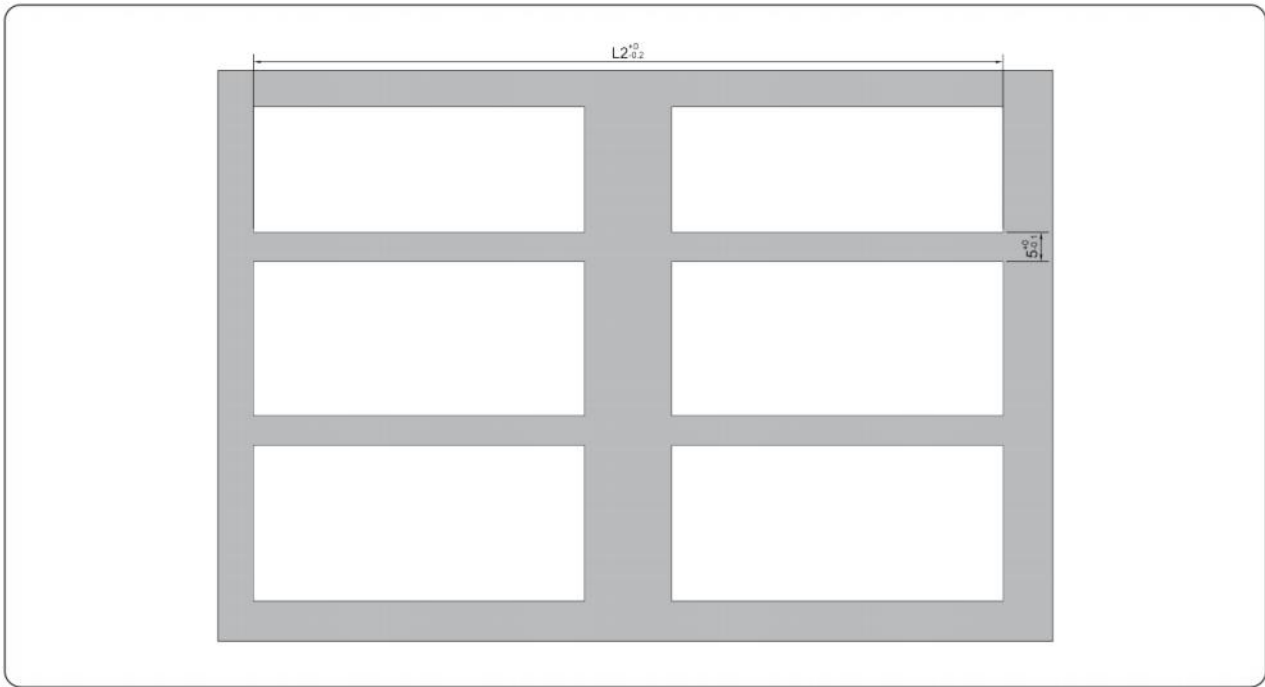


## H Guide rail

### Dimensions



### Cut-Size



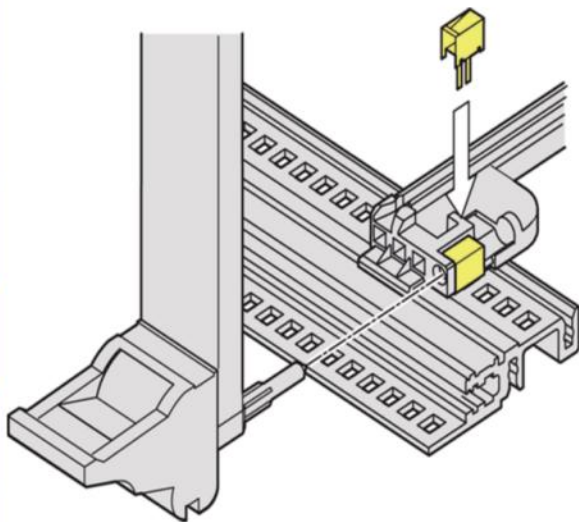
### Order information

Only applicable board	L1	L2	L3	Color	Order no
220	197.7	186.2	184	Yellow	1001076
160	137.7	126.2	124	Yellow	1001077
110(Non-standard Board)	85.7	74.2	72	Grey	1001058

EK&EG PRO Series Subracks
EK+EG+ PRO Series Subracks
BEK&BEG PRO Series Subracks
Handle specification and accessories
Guide rail specification and accessories
19" CUR Series Subracks
SNCF Series Subracks
Shielded plug-in units Series Subracks
VERO Series Subracks
Protective Series Subracks
CASE Series Subracks
Type A Series Subracks
Rugged Subracks Side panel
IN-S Series Subracks
Subracks Accessories
Panel component
Order no. and page Table



## Guide rail accessories

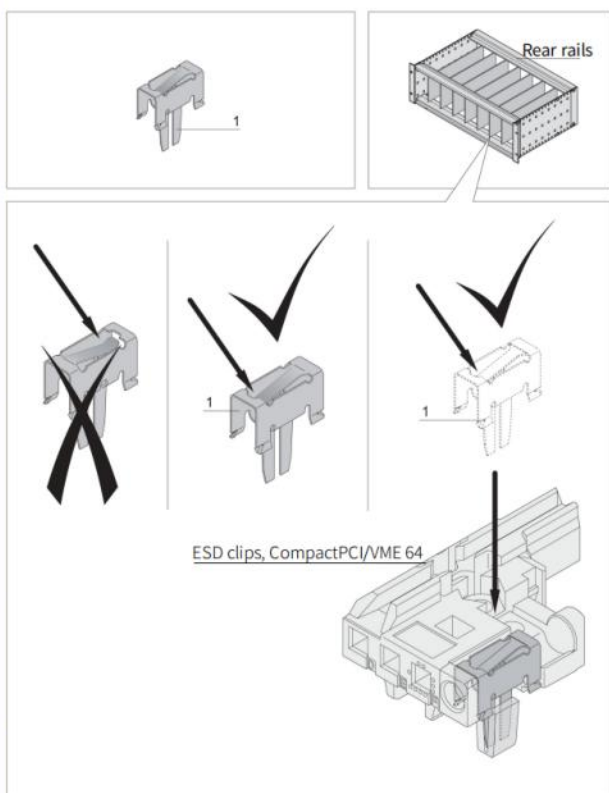


### ESD clips, CompactPCI/VME 64

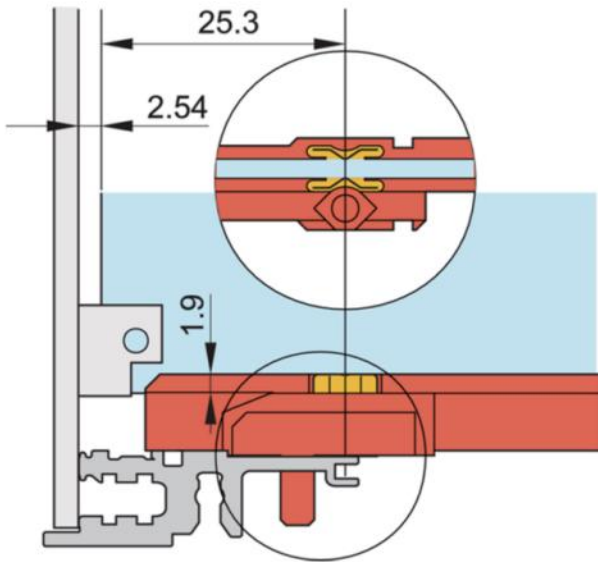
- Spring steel, tin-plated, ESD clip, for alignment pin in accordance with IEEE
- can be plugged into the guide rails with coding and into the keying/coding block
- provides conductive contact between the alignment pin of the insertion/extractor handle (IEL or IET handle) and the horizontal rail

### Order information

Item	Name	Order no
1	ESD clips, CompactPCI/VME 64	1010010



## Guide rail accessories

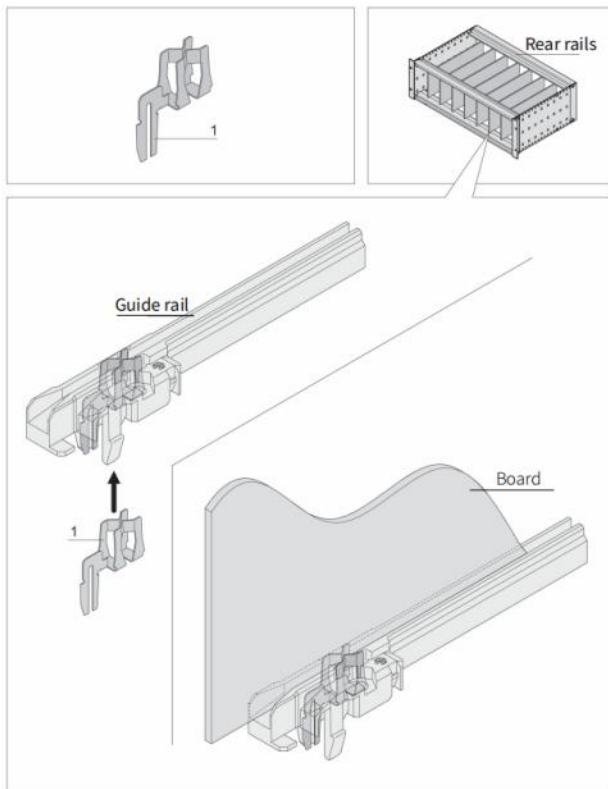


### ESD clips for guide rails

- Spring steel, tin-plated, provides conductive contact between board and horizontal rail, on both the solder side and the component side

#### Order information

Name	Order no
ESD Clip	1010001



EK&EG PRO  
Series Subracks

EK+EG+ PRO  
Series Subracks

BEK&BEG PRO  
Series Subracks

Handle  
specification  
and accessories

Guide rail  
specification  
and accessories

19" CUR  
Series Subracks

SMCF  
Series Subracks

Shielded  
plug-in units  
Series Subracks

VERO  
Series Subracks

Protective  
Series Subracks

CASE  
Series Subracks

Type A  
Series Subracks

Rugged  
Subracks  
Side panel

IN-S  
Series Subracks

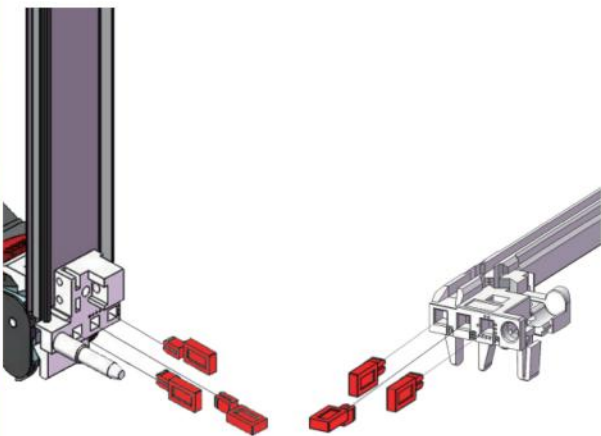
Subracks  
Accessories

Panel  
component

Order no.  
and page Table



## Guide rail accessories



### CompactPCI Coding pins

- Keying/coding for CompactPCI, VME64x handles to IEEE 1011.10 and IEC 60297-3-103
  - Keying/coding peg, PC, UL 94 V-0, RAL 7035/RAL 3020
- The keying/coding pegs prevent plug-in units to be mounted in wrong slots. They are inserted in the chambers of the codablecard guides as well as in the insertion/extractorhandles IEL or IET (4 possible positions), resulting in 64 codings per card guide; when coding the upper and lower card guide, 4096 codings will result;

### Order information

Name	Color	Colour code	Order no
Coding pins	Red	RAL3020	1009010
Coding pins	Grey	RAL7032	1009011

