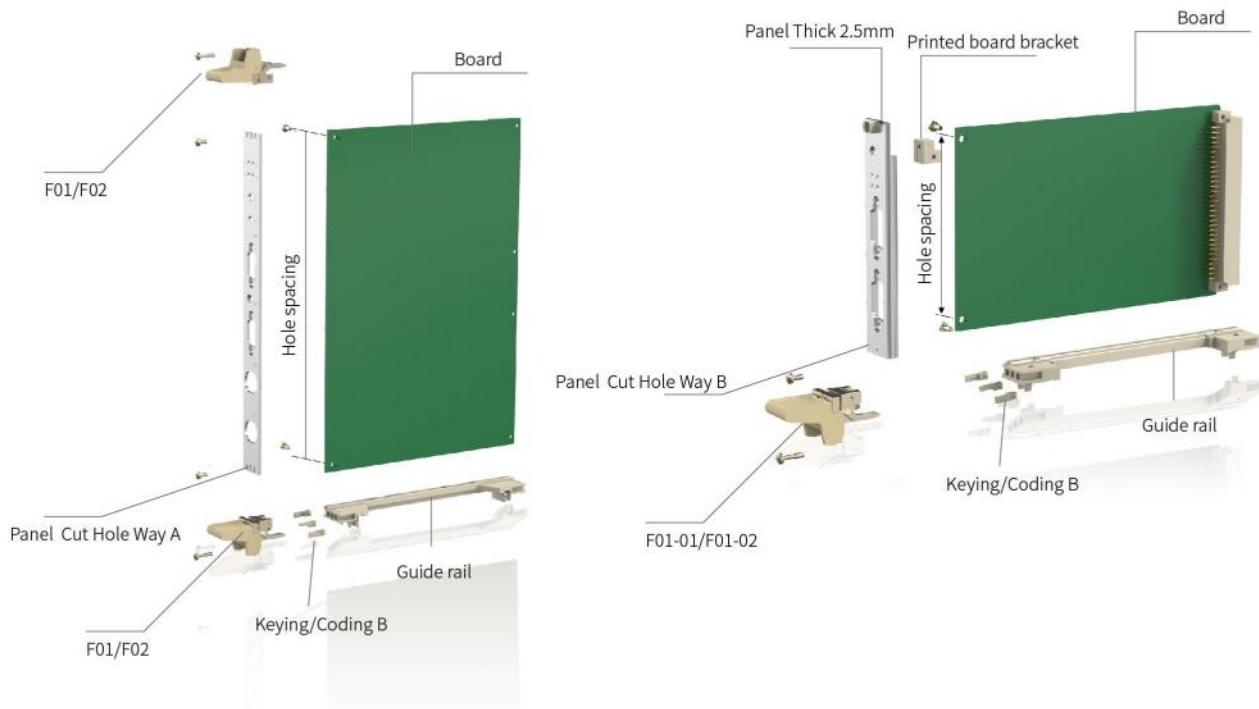




STRUCTURE EXPLODED VIEW



Order information

Order no	Name	Note	Model
1002057	Handle	ABC/DEF	F02/2.0
1002058	Handle	ABC/DEF	F01/2.5
1002059	Handle	ABC/DEF	F01-01/2.5
1002060	Handle	ABC/DEF	F01-02/2.5
1001014	Square Guide rail	160 (Square)	Adapter EK/EG
1001017	Square Guide rail	220 (Square)	Adapter EK/EG
1001048	F Guide rail	220 (Oblique)	Adapter EK/EG

Order no	Name	Note	Model
1001049	F Guide rail	160 (Oblique)	Adapter EK/EG
0100006	84TE-EG Front rails	EG	84TE
0100013	84TE-EG Rear rails	EG	84TE
0110006	84TE-EK Front rails	EK	84TE
0110013	84TE-EK Rear rails	EK	84TE
/	Panels	I/II/III	Choice
1009009	Keying/Coding	FCCF-B	F Guide rail

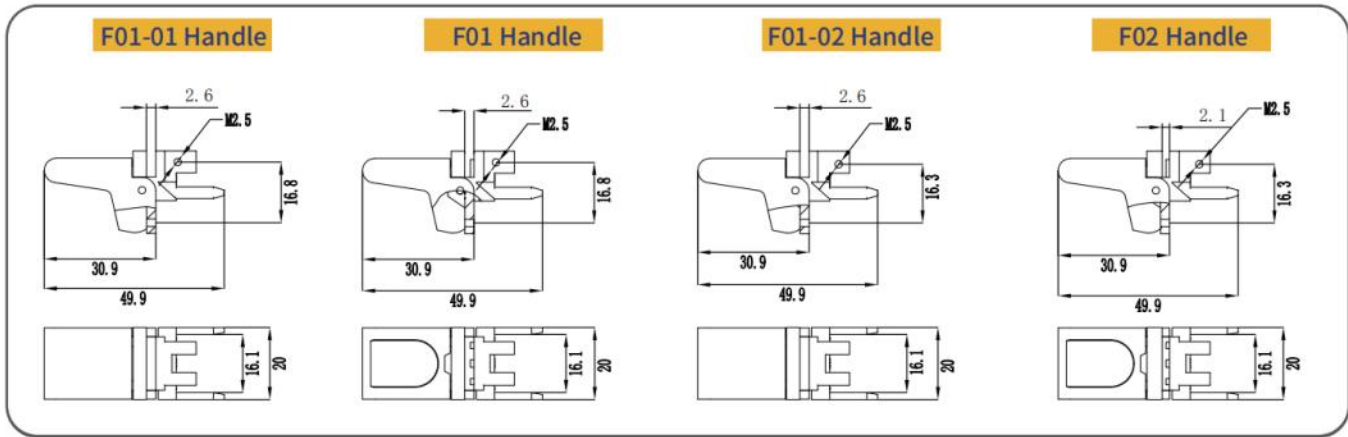
Handle



F01/F02 Handle



F01-01/F01-02 Handle



Standard Order information

Order no	Name	Note	Model	Handle Color	Ultimate torsion
1002058	Handle F01/2.5		ABC/DEF	RAL7032 Grey	400N·m
1002057	Handle F02/2.0		ABC/DEF	RAL7032 Grey	400N·m
1002059	Handle F01-01/2.5		ABC/DEF	RAL7032 Grey	400N·m
1002060	Handle F01-02/2.5		ABC/DEF	RAL7032 Grey	400N·m

Name	F01	F02	F01-01	F01-02
Order no	1002058	1002057	1002059	1002060
PCB Hole spacing 88.9mm	√	-	√	-
PCB Hole spacing 90mm	-	√	-	√
Panel Cut Hole Way A	√	√	-	-
Panel Cut Hole Way B	-	-	√	√
Panel Thick 2.5mm	√	-	√	√
Panel Thick 2.0mm	-	√	-	-

Product description

- This product is mounted on the insert panel and connected directly to the PCB.
- For PCB board pull-out.
- Standard: IEEE1101.10, IEC60297-3-103
- Patent No.: ZL 2017 2 1518214.3
- Brand: RDEKONO

Performance description

- Die casting with guide pins on both sides, compatible with F-type guide rail.
- Compatible with EG\EK\EK+ profile inserts when used with F-type guide rails
- Safe plugging and unplugging can be achieved under the environment of maximum 400N plugging and unplugging force
- Codable
- Fire retardant standard: UL94V-0, EN45545-2
- High temperature aging standard: GB/T7141-2008, 90°C, 6h
- Low temperature embrittlement standard: GB/T5470-2008, -55°C
- ROHS standard: conform to 2011/65/EU

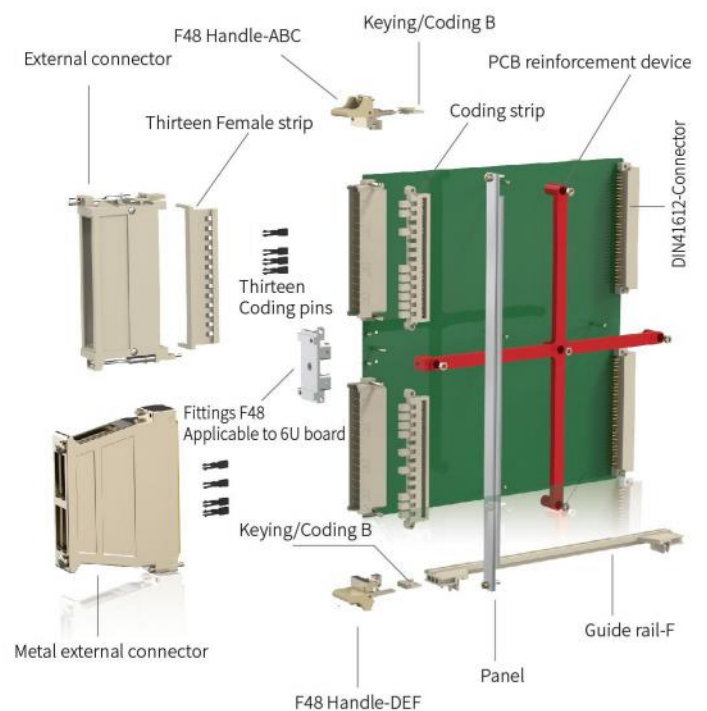
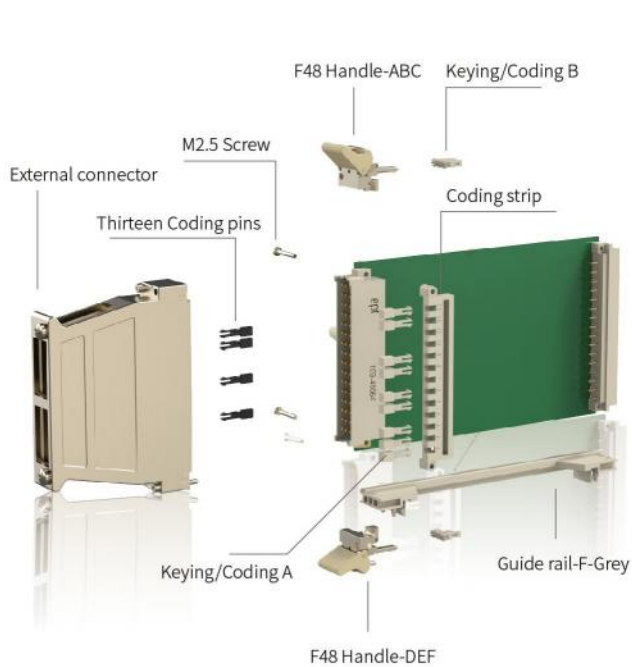
Material and finish

Plastic: PC+20% GF, zinc alloy nickel plated

EK&EG PRO Series Subtracks
 EK+&EG+ PRO Series Subtracks
 BEK&BEG PRO Series Subtracks
 Handle specification and accessories
 Guide rail specification and accessories
 19°CUR Series Subtracks
 SNCF Series Subtracks
 Shielded plug-in units Series Subtracks
 VERO Series Subtracks
 Protective Series Subtracks
 CASE Series Subtracks
 Type A Series Subtracks
 Rugged Subtracks Side panel
 IN-S Series Subtracks
 Subtracks Accessories
 Panel component
 Order no. and page Table



STRUCTURE EXPLODED VIEW



Name	Order no	Model	Note
Coding strip	1009001	Front end of grey board	FCCF-CZ
Keying/Coding A	1009002	Front end of grey board	FCCF-A
Thirteen Female strip	1009003	Grey external connector	FCCF-CZ13
Thirteen Coding pins	1009004	Black external connector	FCCF-X13
Keying/Coding B	1009009	F Guide rail	FCCF-B
Handle	1002063	F48 (Top)	\
Handle	1002065	F48-Black handle (Top)	\
Handle	1002299	F48-1 Top	\
Handle	1002064	F48 (Bottom)	\

Name	Order no	Model	Note
Handle	1002066	F48-Black handle (Bottom)	\
Handle	1002300	F48-1 Bottom	\
F Guide rail	1001048	220 (Oblique)	Adapter EK/EG
F Guide rail	1001049	160 (Oblique)	Adapter EK/EG
Square guide rail	1001014	160 (Square)	Adapter EK/EG
Square guide rail	1001017	220 (Square)	Adapter EK/EG
Fittings F48	BQ002.002.006	20*49.5*13.2	Applicable to 6U board
Front panel	057	II Sectional material	057 Series
PCB reinforcement device	1002310	Red	PCB reinforcement device

F48 Series static handle specification



F48 Series Handle

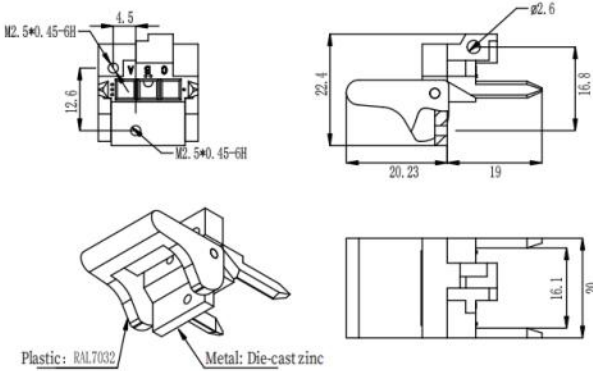


Standard (RAL7032)

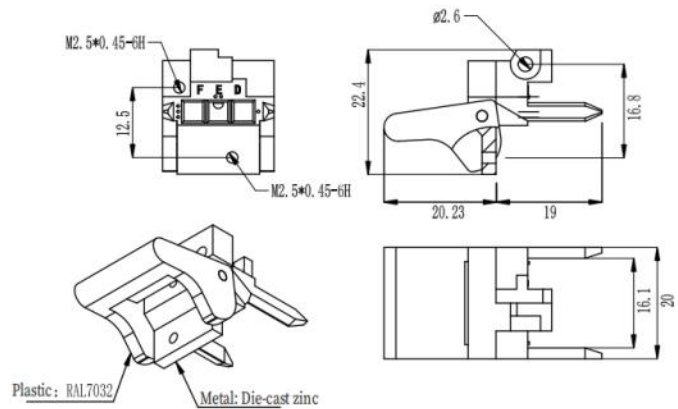


Enhanced (RAL7032)

Handle Top (ABC)



Handle bottom (DEF)



Standard Order information

Order no	Name	Note	Model	Color	Ultimate torsion
1002063	Handle	F48(Top)	ABC	RAL7032 Grey	300N·m
1002064	Handle	F48(bottom)	DEF	RAL7032 Grey	300N·m
1002065	Handle	F48(Top)	ABC	RAL9011 Black	300N·m
1002066	Handle	F48(bottom)	DEF	RAL9011 Black	300N·m

Enhanced Order information

Order no	Name	Note	Model	Color	Ultimate torsion
1002299	Handle	F48-1(Top)	ABC	RAL7032 Grey	500N·m
1002300	Handle	F48-1(bottom)	DEF	RAL7032 Grey	500N·m

Product description

- This product is used for high-density connectors for unplugging and plugging, which can be directly connected to PCB
- Standard compliance: IEC60297-3-103
- Patent No.: ZL 2017 2 1518228.5
- Brand: RDEKONO

Performance description

- Comes with metal positioning claw, matching with F-type guide rail
- Standard F48 handle for safe insertion and removal at up to 300N
- Reinforced F48 handle for safe insertion and removal at up to 500N
- Fire protection standard: UL94V-0, EN45545-2
- Aging standard: GB/T7141-2008, 90°C, 6h
- Embrittlement standard: GB/T5470-2008, -55°C
- ROHS standard: in line with 2011/65/EU

Material and finish

Plastic: PC+20% GF, zinc alloy nickel plated

NOTE The size of the reinforced type is the same as that of the standard type, but the ultimate pulling force is different; Both standard and reinforced models support handle color customization

EM&EG PRO Series Subracks
 EK&MEG+ PRO Series Subracks
 BEK&BEG PRO Series Subracks
 Handle specification and accessories
 Guide rail specification and accessories
 19" CUR Series Subracks
 SINC F Series Subracks
 Shielded plug-in units Series Subracks
 VERO Series Subracks
 Protective Series Subracks
 CASE Series Subracks
 Type A Series Subracks
 Rugged Subracks Side panel
 IN-5 Series Subracks
 Subracks Accessories
 Panel component
 Order no. and page Table

Static handle specification



Handl eaccessories



Order information

Order no	Name	Note	Model
1001048	Guide rail-F	220 (Oblique)	Adapter EK/EG
1001049	Guide rail-F	160 (Oblique)	Adapter EK/EG
1001014	Square guide rail	160 (Square)	Adapter EK/EG
1001017	Square guide rail	220 (Square)	Adapter EK/EG

Product description

- Used with F48/F01 series handle for PCB board guiding installation.
- Suitable for PCB board with 160mm/220mm depth.
- Use with F48/F01 series handle and error-proof code pin.
- Prevents PCB board from being inserted by mistake.

Performance description

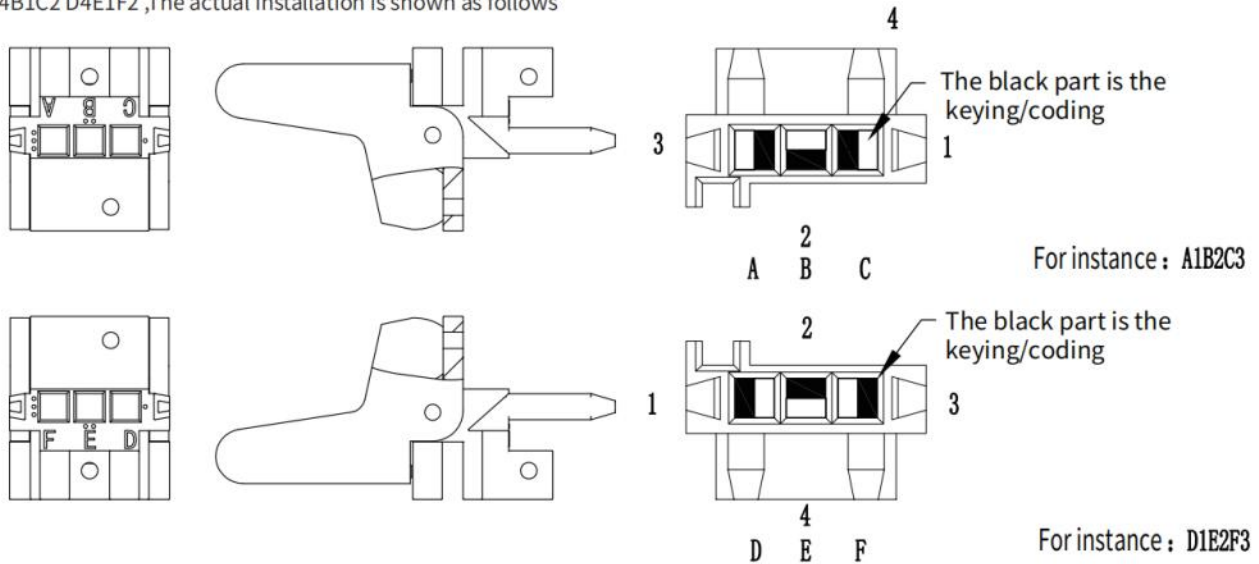
- Patent: ZL 2017 2 1517360.4
- Fire retardant test report: TC.17.04.000972
- Grade R22-R23 contains items: oxygen index test, smoke density test, toxicity test.
- Standard compliance: EN 45545-2:2013 + A1:2015(E)
- Low-temperature embrittlement inspection standard: GB/T5470-2008 -55°C
- High-temperature aging inspection standard: GB/T7141-2008, 90°C, 6h

Material and finish

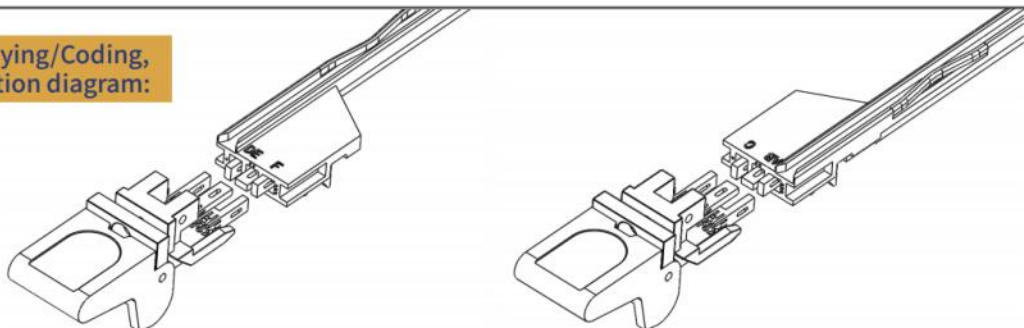
Plastic: PC+20%GF

Keying/Coding Usage specification

For example, drawing requirements provided by the customer keying/Coding is A4B1C2 D4E1F2 ,The actual installation is shown as follows



Handle, Guide rail, Keying/Coding, Coordination installation diagram:



Cross stiffener

Product description

- Installed on the PCB board, make the card more solid, can effectively avoid deformation and damage to the card under severe vibration.
- Only applicable to board height 6U, board depth 220mm.

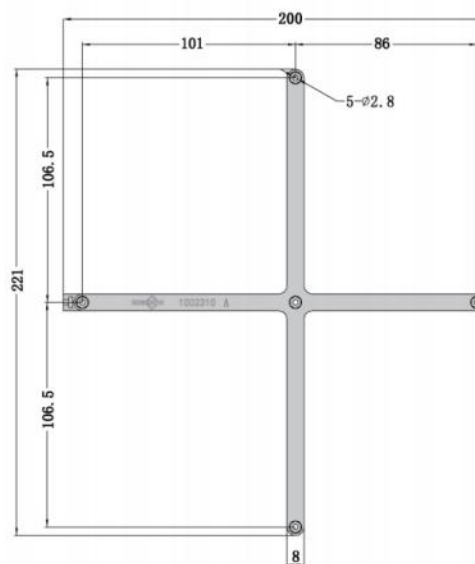
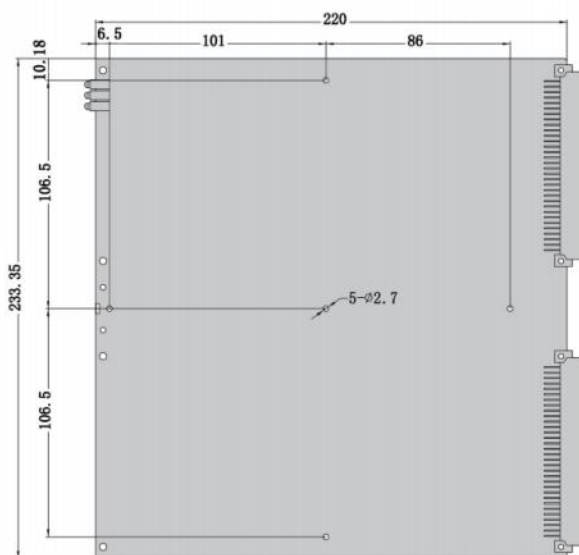
Performance description

- High-temperature aging standard: GB/T7141-2008, 90°C, 6h
- Low temperature embrittlement standard: GB/T5470-2008, -55°C
- Fire retardant standard: UL94V-0, EN45545-2
- Fire resistance standard: EN 45545-2:2013+A1:2015(E)
- ROHS standard: 2011/65/EU

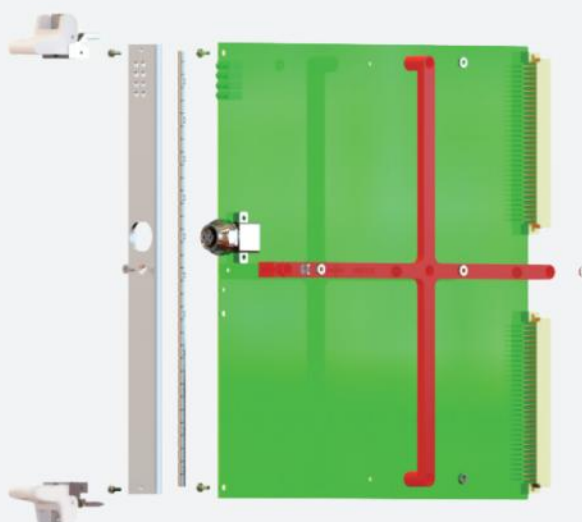
Material and finish

>PA+20%GF

Cut-Size



Schematic



Delivery Comprises(kit)

Name	Qty	Model	Colour code	Order no
Cross stiffener	1	Red	RAL3018	1002310
Square nrt	1	M2.5	/	1005002
Hex Nut	5	M2.5	/	1005001
Pozidrive c/sk screw	1	M2.5x6	/	1004011
Pan head Pozidrive c/sk screw	5	M2.5x16	/	1004008

EK&EG PRO Series Subracks
EK&EG+ PRO Series Subracks
BEK&BEG PRO Series Subracks
Handle specification and accessories
Guide rail specification and accessories
19"CUR Series Subracks
SNCF Series Subracks
Shielded plug-in units Series Subracks
VERO Series Subracks
Protective Series Subracks
CASE Series Subracks
Type A Series Subracks
Rugged Subracks Side panel
IN-S Series Subracks
Subracks Accessories
Panel component
Order no. and page Table

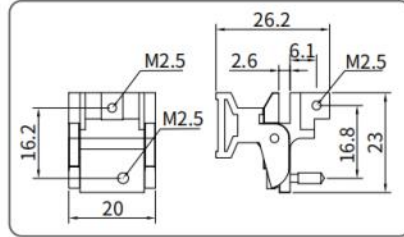
Static handle specification



Handle



I Handle

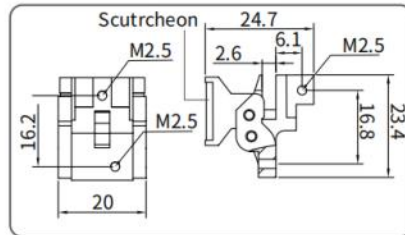


Order information

Order no	Name	Model	color	Colour code
1002001	Handle	I	Grey	RAL7047
1002003	Handle	I	Black	RAL9011



I-SX Handle



Order no	Name	Model	color	Colour code
1002006	Handle	I-SX	Grey	RAL7032
1002007	Handle	I-SX	Black	RAL9011
1025010	Scutcheon	/	Natural color	/

Product description

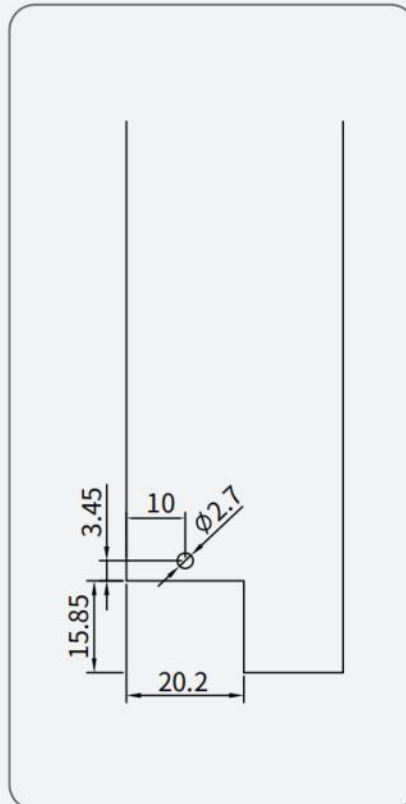
- This product is mounted on the insert panel and connected directly to the PCB.
- For PCB board insertion and extraction.
- 3U panel requires only one handle below.
- Plastic parts can be screen printed on the front.
- Works with card guides
- Compliant with IEEE1101.10 standard
- Signage purchased separately, signage text can be customized

Performance description

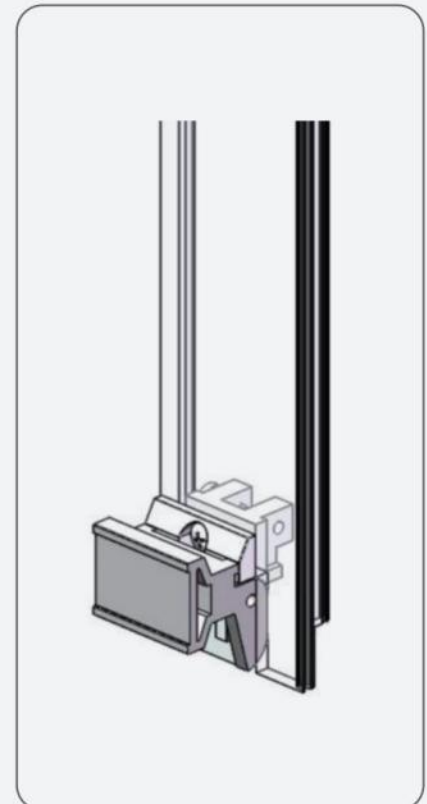
Material and finish

- Plastic: PC+20% GF, zinc alloy nickel plated
- Plastic: PC+20% GF, zinc alloy nickel plated

Cut-Size



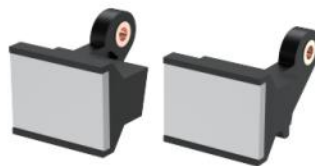
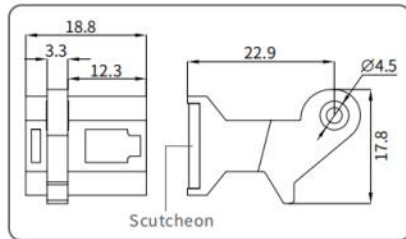
Schematic



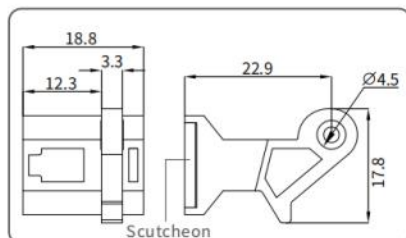
Handle



III Handle



III Handle



Order information

Order no	Name	Model	color	Colour code
1002368	Handle	III (Top)	Grey	RAL7023
1002367	Handle	III (Bottom)	Grey	RAL7023
1002372	Handle	III (Top)	Black	RAL9011
1002373	Handle	III (Bottom)	Black	RAL9011

Delivery includes

Order no	Name	3U Qty	6U Qty	Model
1002368	III Handle	/	1	III Handle Top
1002367	III Handle	1	1	III Handle bottom
1025010	Scutcheon	1	2	18.7x13.3x1.5
1002369	Shaft	1	2	3.5x4.5
1015004	Printed board bracket	1	2	Metal-B
1004011	Screw	1	2	M2.5x6
1004009	Screw	1	2	M2.5x12

Product description

- For flat panels/U-shaped panels
- For unplugging cards
- 3U panel requires only one handle below
- Printed label on the front of the plastic part
- Works with card guides
- Compliant with IEEE1101.10 standard

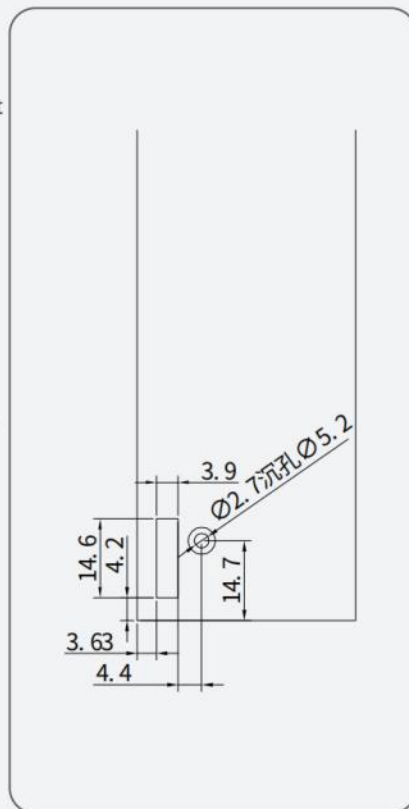
Performance description

- High-temperature aging standard: GB/T7141-2008, 90°C, 6h
- Low temperature embrittlement standard: GB/T5470-2008, -55°C
- Fire retardant standard: UL94V-0, EN45545-2
- Fire resistance standard: EN 45545-2:2013+A1:2015(E)
- ROHS standard: 2011/65/EU

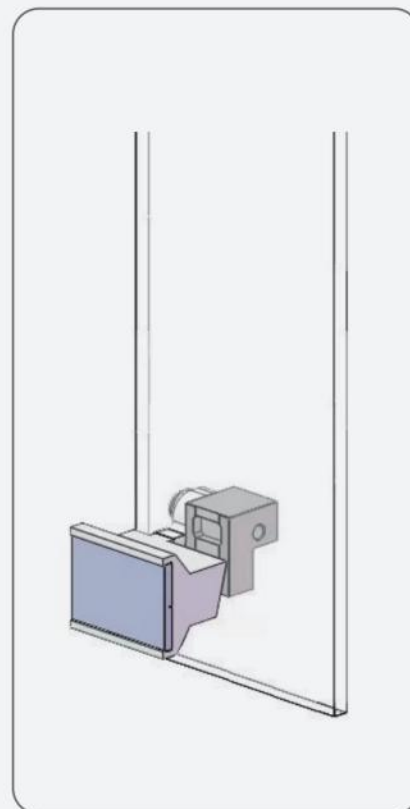
Material and finish

PC+20%GF; Copper

Cut-Size



Schematic



EK&EG PRO Series Subracks
EK&EG+PRO Series Subracks
BEK&BEG PRO Series Subracks
Handle specification and accessories
Guide rail specification and accessories
19"CUR Series Subracks
SNCF Series Subracks
Shielded plug-in units Series Subracks
VERO Series Subracks
Protective Series Subracks
CASE Series Subracks
Type A Series Subracks
Rugged Subracks Side panel
IN-S Series Subracks
Subracks Accessories
Panel component
Order no. and page Table

Handle



F03 Handle



F03 Handle



IV Handle



IV Handle

Product description

- Suitable for flat panel/U-shaped panel
- For PCB board insertion and extraction
- Compliant with IEEE1101.10 standard

Performance description

- High-temperature aging standard: GB/T7141-2008,,90°C, 6h
- Low temperature embrittlement standard: GB/T5470-2008, -55°C
- Fire retardant standard: UL94V-0, EN45545-2
- Fire resistance standard: EN 45545-2:2013+A1:2015(E)
- ROHS standard: 2011/65/EU

Material and finish

Plastic: PC+20% GF; zinc alloy nickel plated

Order information

Order no	Name	Model	Color	Colour code
1002061	Handle	F03(上)	Black	RAL9011
1002061	Handle	F03(下)	Black	RAL9011
1002062	Handle	F03(上)	Grey	RAL7035
1002062	Handle	F03(下)	Grey	RAL7035

Product description

- Suitable for flat panel/U-shaped panel
- For PCB board insertion and extraction
- For use with front rail with square holes
- Compliant with IEEE1101.10 standard

Performance description

- High-temperature aging standard: GB/T7141-2008,,90°C, 6h
- Low temperature embrittlement standard: GB/T5470-2008, -55°C
- Fire retardant standard: UL94V-0, EN45545-2
- Fire resistance standard: EN 45545-2:2013+A1:2015(E)
- ROHS standard: 2011/65/EU

Material and finish

Plastic: PC+20% GF; zinc alloy nickel plated

Order information

Order no	Name	Model	Color	Colour code
1002428	Handle	IV Type(Top)	Black	RAL9011
1002429	Handle	IV Type(Bottom)	Black	RAL9011
1002430	Handle	IV Type(Top)	Grey	RAL7035
1002431	Handle	IV Type(Bottom)	Grey	RAL7035

EK&EG PRO Series Subtracks
EK+MEG+PRO Series Subtracks
BEK&BEG PRO Series Subtracks
Handle specification and accessories
Guide rail specification and accessories
19"CUR Series Subtracks
SNCF Series Subtracks
Shielded plug-in units Series Subtracks
VERO Series Subtracks
Protective Series Subtracks
CASE Series Subtracks
Type A Series Subtracks
Rugged Subtracks Side panel
IN-S Series Subtracks
Subtracks Accessories
Panel component
Order no. and page table