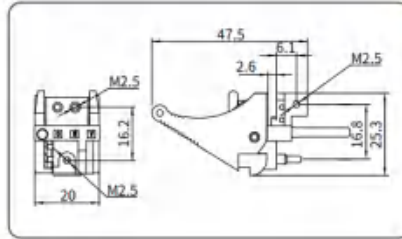


## Handle



T01/T02 Handle

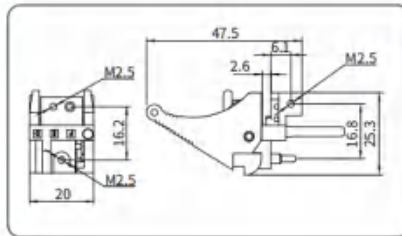


### Order information

Order no	Name	Model	color	Colour code
1002012	Handle	T01 (Top)	Black handle+red button	RAL9011+RAL3031
1002013	Handle	T01 (Bottom)	Black handle+red button	RAL9011+RAL3031
1002374	Handle	T01 (Top)	Grey handle+red button	RAL7035+RAL3031
1002375	Handle	T01 (Bottom)	Grey handle+red button	RAL7035+RAL3031



T01/T02 Handle



Order no	Name	Model	color	Colour code
1002016	Handle	T02 (Top)	Black handle+dark red button	RAL9011+RAL3007
1002017	Handle	T02 (Bottom)	Black handle+dark red button	RAL9011+RAL3007
1002380	Handle	T02 (Top)	Grey handle+dark red button	RAL7035+RAL3007
1002381	Handle	T02 (Bottom)	Grey handle+dark red button	RAL7035+RAL3007

### Product description

- Suitable for flat panel/U-shaped panel
- For PCB board insertion and extraction
- Use with front rails with square hole
- Optional micro switch for hot-swapping
- Codable to realize anti-insertion function
- Compliant with IEEE1101.10 standard

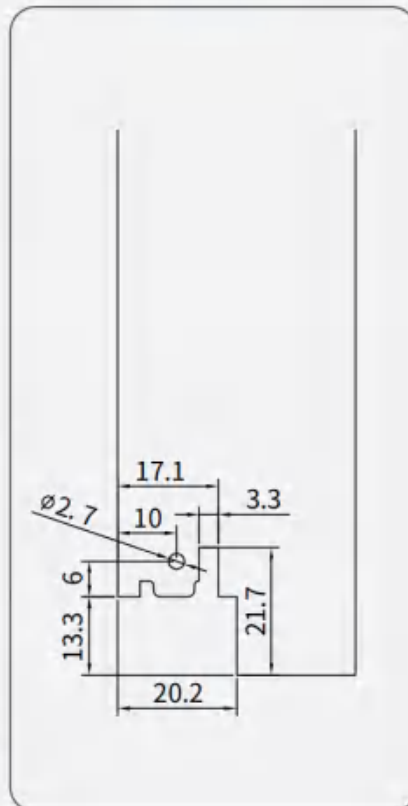
### Performance description

- High-temperature aging standard: GB/T7141-2008,,90°C, 6h
- Low temperature embrittlement standard: GB/T5470-2008, -55°C
- Fire retardant standard: UL94V-0, EN45545-2
- Fire resistance standard: EN 45545-2:2013+A1:2015(E)
- ROHS standard: 2011/65/EU

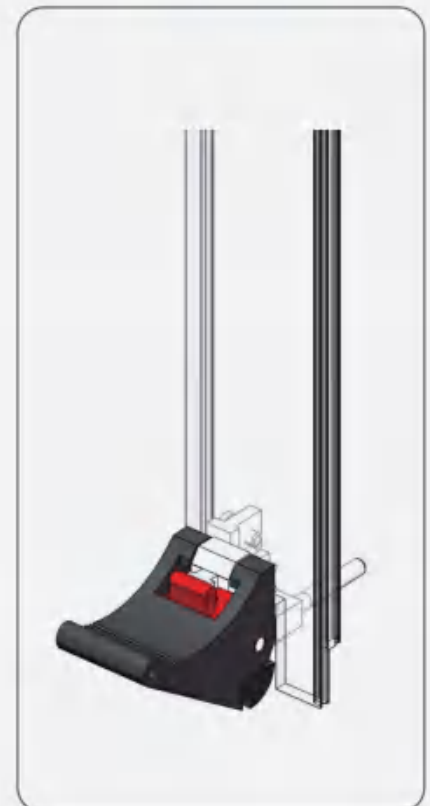
### Material and finish

- Plastic: PC+20% GF, zinc alloy nickel plated
- Plastic: PC+20% GF, zinc alloy nickel plated

### Cut-Size



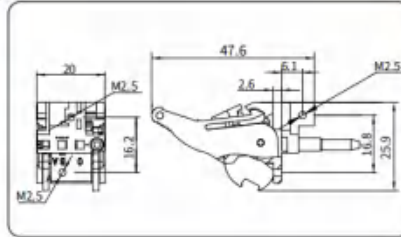
### Schematic



## Handle



T04 Handle

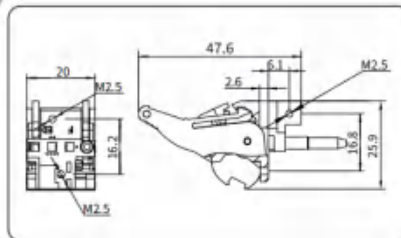


### Order information

Order no	Name Model	color	Colour code
1002020	Handle T04 (Top)	Black handle+red button	RAL9011+RAL3031
1002021	Handle T04 (Bottom)	Black handle+red button	RAL9011+RAL3031



T04 Handle



Order no	Name Model	color	Colour code
1002018	Handle T04 (Top)	Grey handle+red button	RAL7035+RAL3031
1002019	Handle T04 (Bottom)	Grey handle+red button	RAL7035+RAL3031

### Product description

- Suitable for flat panel/U-shaped panel
- For PCB board insertion and extraction
- Use with front rails with square hole
- Optional micro switch for hot-swapping
- Codable to realize anti-insertion function
- Compliant with IEEE1101.10 standard

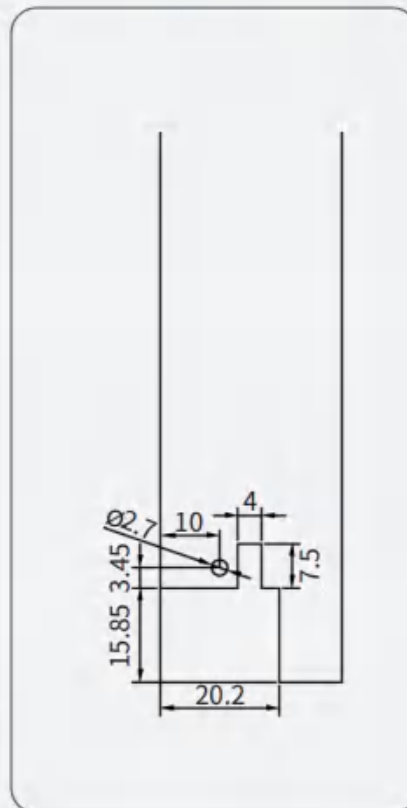
### Performance description

- High-temperature aging standard: GB/T7141-2008,,90°C, 6h
- Low temperature embrittlement standard: GB/T5470-2008, -55°C
- Fire retardant standard: UL94V-0, EN45545-2
- Fire resistance standard: EN 45545-2:2013+A1:2015(E)
- ROHS standard: 2011/65/EU

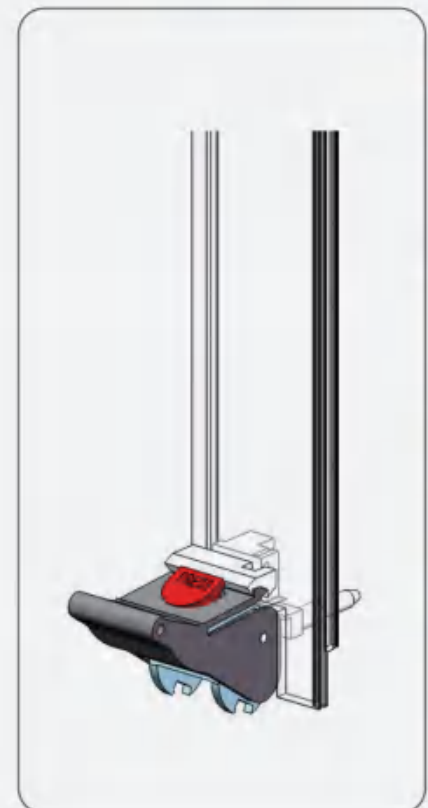
### Material and finish

- Plastic: PC+20% GF, zinc alloy nickel plated

### Cut-Size



### Schematic



EMAEG PRO Series Subracks  
 EN+MAEG+PRO Series Subracks  
 BEN+MAG PRO Series Subracks  
 Handle specification and accessories  
 Guide-rail specification and accessories  
 19°CUR Series Subracks  
 SNCF Series Subracks  
 Shielded plug-in units Series Subracks  
 VERO Series Subracks  
 Protective Series Subracks  
 CASE Series Subracks  
 Type A Series Subracks  
 Rugged Subracks side panel  
 IN-S Series Subracks  
 Subracks Accessories  
 Panel component  
 Order no. and page Table

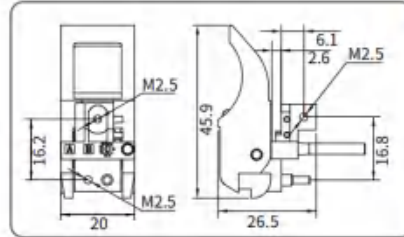
# Static handle specification



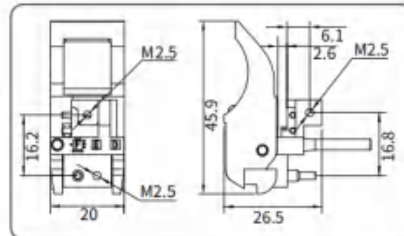
## Handle



T06/T07 Handle



T06/T07 Handle



### Order information

Order no	Name Model	color	Colour code
1002028	Handle T06 (Top)	Black handle+red button	RAL9011+RAL3031
1002029	Handle T06 (Bottom)	Black handle+red button	RAL9011+RAL3031
1002412	Handle T06 (Top)	Grey handle+red button	RAL7035+RAL3031
1002413	Handle T06 (Bottom)	Grey handle+red button	RAL7035+RAL3031

Order no	Name Model	color	Colour code
1002032	Handle T07 (Top)	Black handle+dark red button	RAL9011+RAL3007
1002033	Handle T07 (Bottom)	Black handle+dark red button	RAL9011+RAL3007
1002410	Handle T07 (Top)	Grey handle+dark red button	RAL7035+RAL3007
1002411	Handle T07 (Bottom)	Grey handle+dark red button	RAL7035+RAL3007

### Product description

- Suitable for flat panel/U-shaped panel
- For PCB board insertion and extraction
- Use with front rails with square hole
- Optional micro switch for hot-swapping
- Codable to realize anti-insertion function
- Compliant with IEEE1101.10 standard

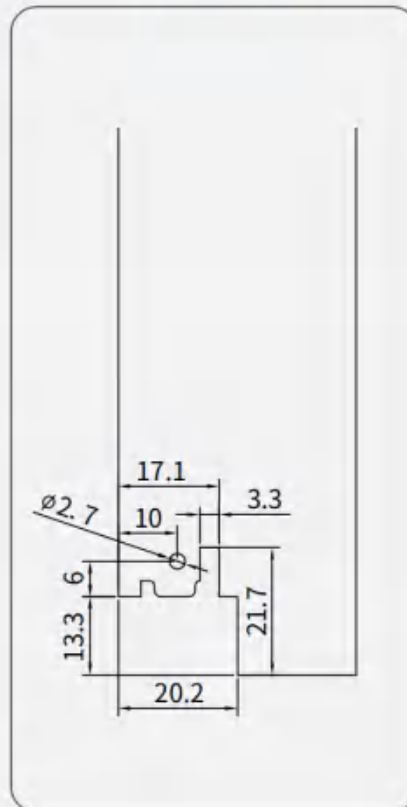
### Performance description

- High-temperature aging standard: GB/T7141-2008,,90°C, 6h
- Low temperature embrittlement standard: GB/T5470-2008, -55°C
- Fire retardant standard: UL94V-0, EN45545-2
- Fire resistance standard: EN 45545-2:2013+A1:2015(E)
- ROHS standard: 2011/65/EU

### Material and finish

- Plastic: PC+20% GF, zinc alloy nickel plated
- Plastic: PC+20% GF, zinc alloy nickel plated

### Cut-Size



### Schematic



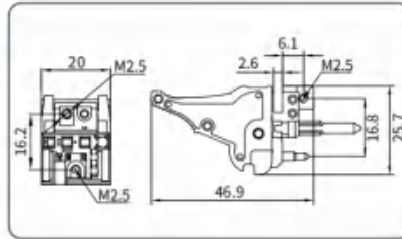


# Static handle specification

## Handle



T08 Handle

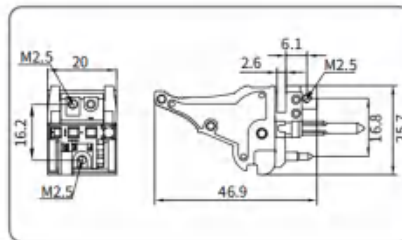


### Order information

Order no	Name	Model	color	Colour code
1002034	Handle	T08 (Top)	Black handle+grey button	RAL9011+RAL 7035
1002035	Handle	T08 (Bottom)	Black handle+grey button	RAL9011+RAL 7035
1002036	Handle	T08 (Top)	Black handle+red button	RAL9011+RAL 3031
1002037	Handle	T08 (Bottom)	Black handle+red button	RAL9011+RAL 3031



T19 Handle



Order no	Name	Model	color	Colour code
1002052	Handle	T19 (Top)	Grey handle+Black button	RAL 7035+RAL9011
1002053	Handle	T19 (Bottom)	Grey handle+Black button	RAL 7035+RAL9011

### Product description

- Suitable for flat panel/U-shaped panel
- For PCB board insertion and extraction
- Use with front rails with square hole
- Optional micro switch for hot-swapping
- Codable to realize anti-insertion function
- Compliant with IEEE1101.10 standard

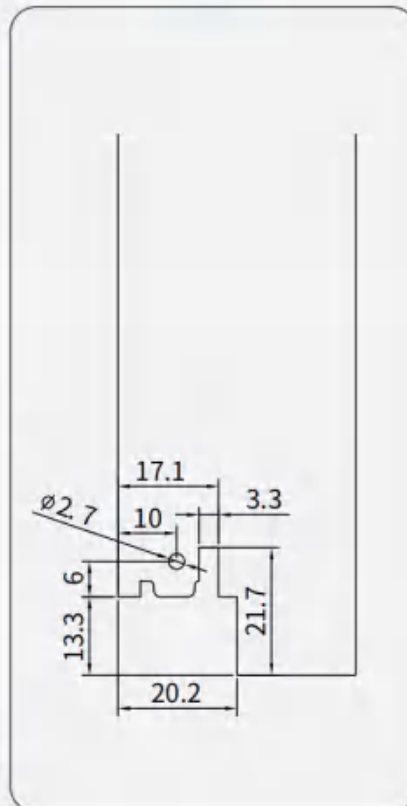
### Performance description

- High-temperature aging standard: GB/T7141-2008, 90°C, 6h
- Low temperature embrittlement standard: GB/T5470-2008, -55°C
- Fire retardant standard: UL94V-0, EN45545-2
- Fire resistance standard: EN 45545-2:2013+A1:2015(E)
- ROHS standard: 2011/65/EU

### Material and finish

- Plastic: PC+20% GF, zinc alloy nickel plated
- Plastic: PC+20% GF, zinc alloy nickel plated

### Cut-Size



### Schematic

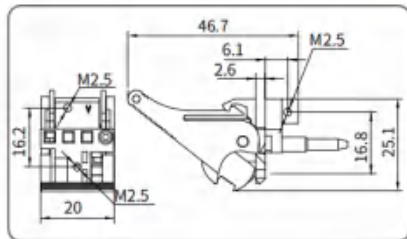


EMEG PRO Series Subracks  
EK-MEG-PRD Series Subracks  
BEMEG PRO Series Subracks  
Handles specification and accessories  
General specification and accessories  
19" CR Series Subracks  
SVCF Series Subracks  
Shielded plug-in unit Series Subracks  
VERO Series Subracks  
Protective Series Subracks  
CASE Series Subracks  
Type A Series Subracks  
Rugged Subracks Side panel  
IN-S Series Subracks  
Subracks Accessories  
Panel component  
Order no. and page Table

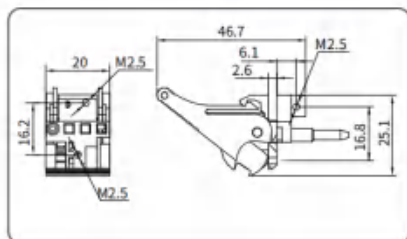
## Handle



T46 Handle



T46 Handle



### Order information

Order no	Name	Model	Color	Colour code
1002326	Handle	T46(Top)	Black	RAL9011
1002056	Handle	T46(Bottom)	Black	RAL9011
1002414	Handle	T46(Top)	Grey	RAL7035
1002415	Handle	T46(Bottom)	Grey	RAL7035

### Product description

- Suitable for flat panel/U-shaped panel
- For PCB board insertion and extraction
- Use with front rails with square hole
- Optional micro switch for hot-swapping
- Codable to realize anti-insertion function
- Compliant with IEEE1101.10 standard

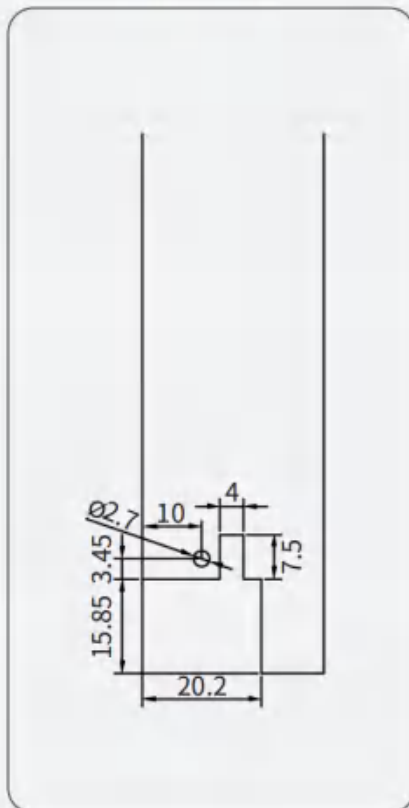
### Performance description

- High-temperature aging standard: GB/T7141-2008, 90°C, 6h
- Low temperature embrittlement standard: GB/T5470-2008, -55°C
- Fire retardant standard: UL94V-0, EN45545-2
- Fire resistance standard: EN 45545-2:2013+A1:2015(E)
- ROHS standard: 2011/65/EU

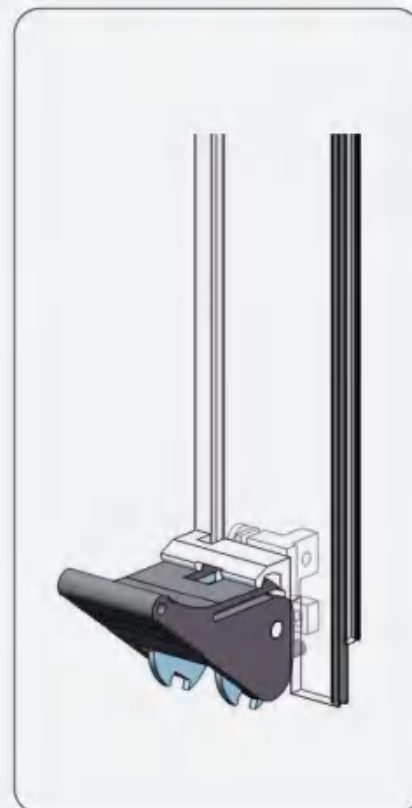
### Material and finish

- PC+20% GF; zinc alloy nickel plated
- PC+20% GF; zinc alloy nickel plated

### Cut-Size



### Schematic

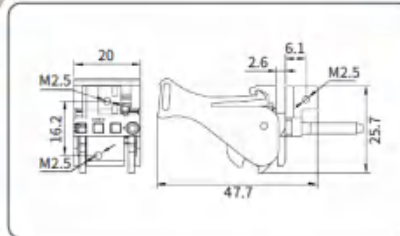


# Static handle specification

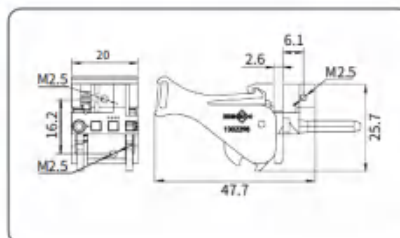
## Handle



T47 Handle



T47 Handle



### Order information

Order no	Name	Model	Color	Colour code
1002327	Handle	T47 (Top)	Yellow Handle	RGB (251,197,0)
1002328	Handle	T47 (Bottom)	Yellow Handle	RGB (251,197,0)
1002331	Handle	T47 (Top)	Green Handle	RGB (0,255,0)
1002332	Handle	T47 (Bottom)	Green Handle	RGB (0,255,0)
1002335	Handle	T47 (Top)	Blue Handle	RGB (35,41,108)
1002336	Handle	T47 (Bottom)	Blue Handle	RGB (35,41,108)

### Product description

- Suitable for flat panel/U-shaped panel
- For PCB board insertion and extraction
- Use with front rails with square hole
- Optional micro switch for hot-swapping
- Codable to realize anti-insertion function
- Compliant with IEEE1101.10 standard

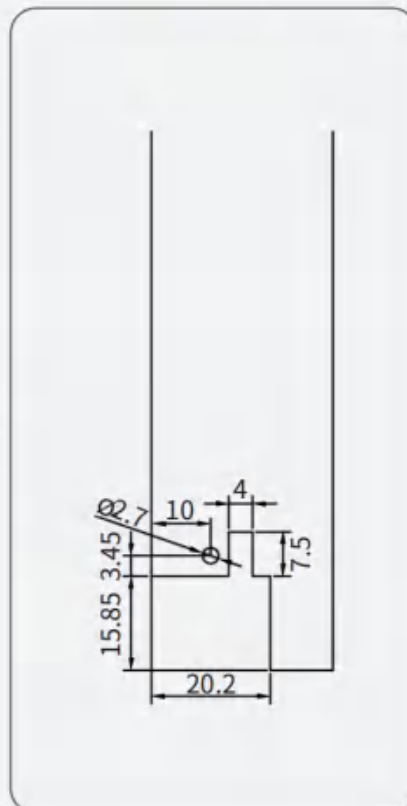
### Performance description

- High-temperature aging standard: GB/T7141-2008, 90°C, 6h
- Low temperature embrittlement standard: GB/T5470-2008, -55°C
- Fire retardant standard: UL94V-0, EN45545-2
- Fire resistance standard: EN 45545-2:2013+A1:2015(E)
- ROHS standard: 2011/65/EU

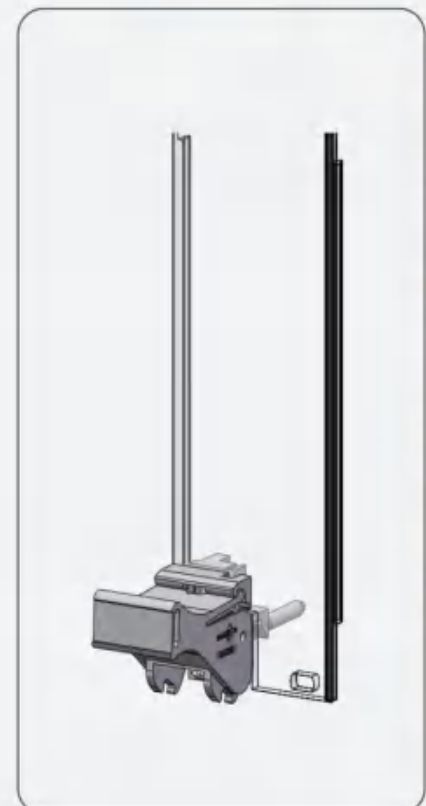
### Material and finish

- PC+20% GF; zinc alloy nickel plated
- PC+20% GF; zinc alloy nickel plated

### Cut-Size

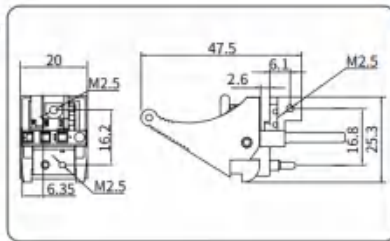


### Schematic





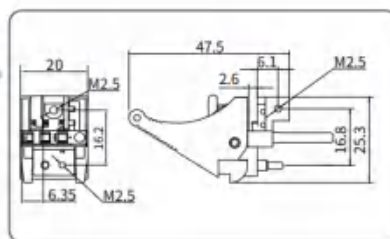
## Handle offset 0.1"



T01/T02 Offset Handle

### Order information

Order no	Name	Model	Color	Colour code
1002386	Handle	T01 Offset (Top)	Black handle+red button	RAL9011+RAL3031
1002387	Handle	T01 Offset (Bottom)	Black handle+red button	RAL9011+RAL3031
1002388	Handle	T01 Offset (Top)	Grey handle+red button	RAL7035+RAL3031
1002389	Handle	T01 Offset (Bottom)	Grey handle+red button	RAL7035+RAL3031



T01/T02 Offset Handle

Order no	Name	Model	Color	Colour code
1002390	Handle	T02 Offset (Top)	Black handle+dark red button	RAL9011+RAL3007
1002391	Handle	T02 Offset (Bottom)	Black handle+dark red button	RAL9011+RAL3007
1002392	Handle	T02 Offset (Top)	Grey handle+dark red button	RAL7035+RAL3007
1002393	Handle	T02 Offset (Bottom)	Grey handle+dark red button	RAL7035+RAL3007

### Product description

- Suitable for flat panel/U-shaped panel
- For PCB board insertion and extraction
- Use with front rail with square hole
- Optional micro switch for hot-swapping
- Codable to realize anti-insertion function
- Offset 2.54 to the right for power card panels
- Compliant with IEEE1101.10 standard

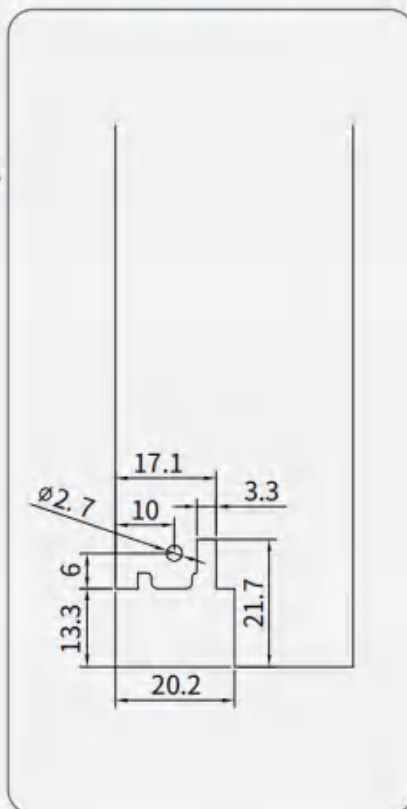
### Performance description

- High-temperature aging standard: GB/T7141-2008, 90°C, 6h
- Low temperature embrittlement standard: GB/T5470-2008, -55°C
- Fire retardant standard: UL94V-0, EN45545-2
- Fire resistance standard: EN 45545-2:2013+A1:2015(E)
- ROHS standard: 2011/65/EU

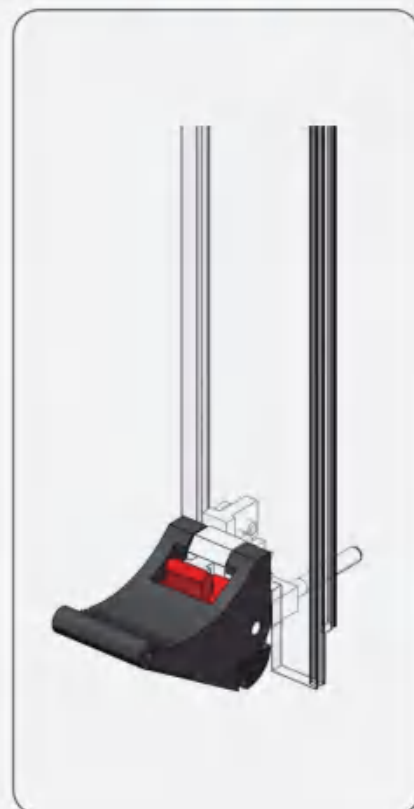
### Material and finish

- PC+20% GF; zinc alloy nickel plated
- PC+20% GF; zinc alloy nickel plated

### Cut-Size



### Schematic



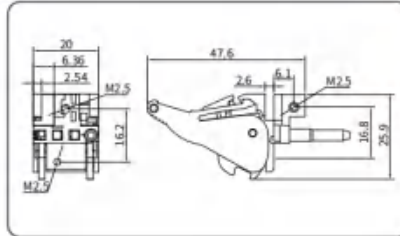
# Static handle specification



## Handle offset 0.1"



T04 Offset handle

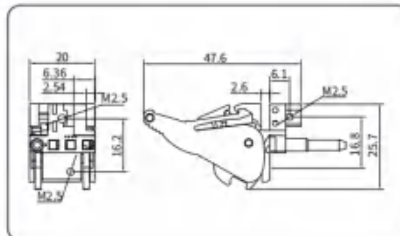


### Order information

Order no	Name	Model	Color	Colour code
1002026	Handle	T04 Offset (Top)	Black handle+red button	RAL9011+RAL3031
1002027	Handle	T04 Offset (Bottom)	Black handle+red button	RAL9011+RAL3031



T04 Offset handle



Order no	Name	Model	Color	Colour code
1002382	Handle	T04 Offset (Top)	Grey handle+red button	RAL7035+RAL3031
1002383	Handle	T04 Offset (Bottom)	Grey handle+red button	RAL7035+RAL3031

### Product description

- Suitable for flat panel/U-shaped panel
- For PCB board insertion and extraction
- Use with front rail with square hole
- Optional micro switch for hot-swapping
- Codable to realize anti-insertion function
- Offset 2.54 to the right for power card panels
- Compliant with IEEE1101.10 standard

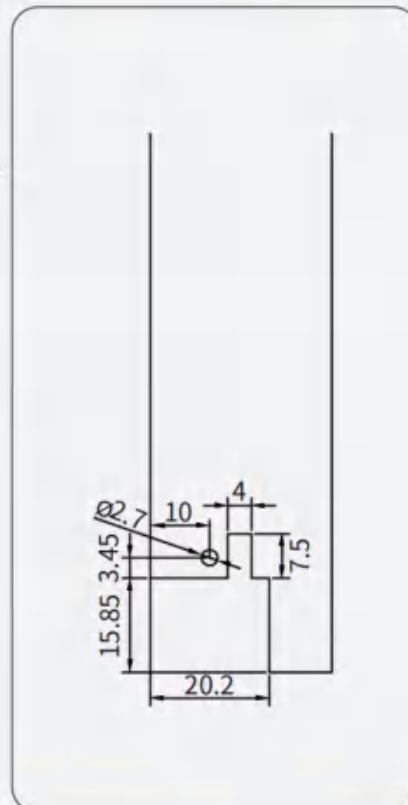
### Performance description

- High-temperature aging standard: GB/T7141-2008,,90°C, 6h
- Low temperature embrittlement standard: GB/T5470-2008, -55°C
- Fire retardant standard: UL94V-0, EN45545-2
- Fire resistance standard: EN 45545-2:2013+A1:2015(E)
- ROHS standard: 2011/65/EU

### Material and finish

- PC+20% GF; zinc alloy nickel plated

### Cut-Size



### Schematic



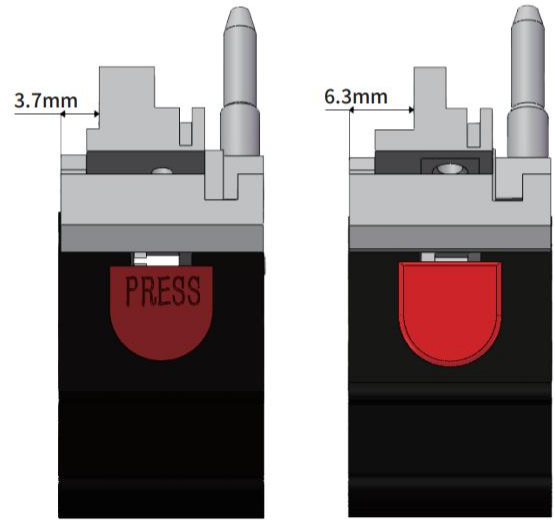
EMEG PRO Series Subracks  
 EK-MEG+ PRO Series Subracks  
 BEM-BEG PRO Series Subracks  
 Handle specification and accessories  
 Guide rail specification and accessories  
 19" CUR Series Subracks  
 SNCF Series Subracks  
 Shielded plug-in units Series Subracks  
 VERO Series Subracks  
 Protective Series Subracks  
 CASE Series Subracks  
 Type A Series Subracks  
 Rugged Subracks Side panel  
 IN-S Series Subracks  
 Subracks Accessories  
 Panel component  
 Order no. and page table



## Application of Offset Handle

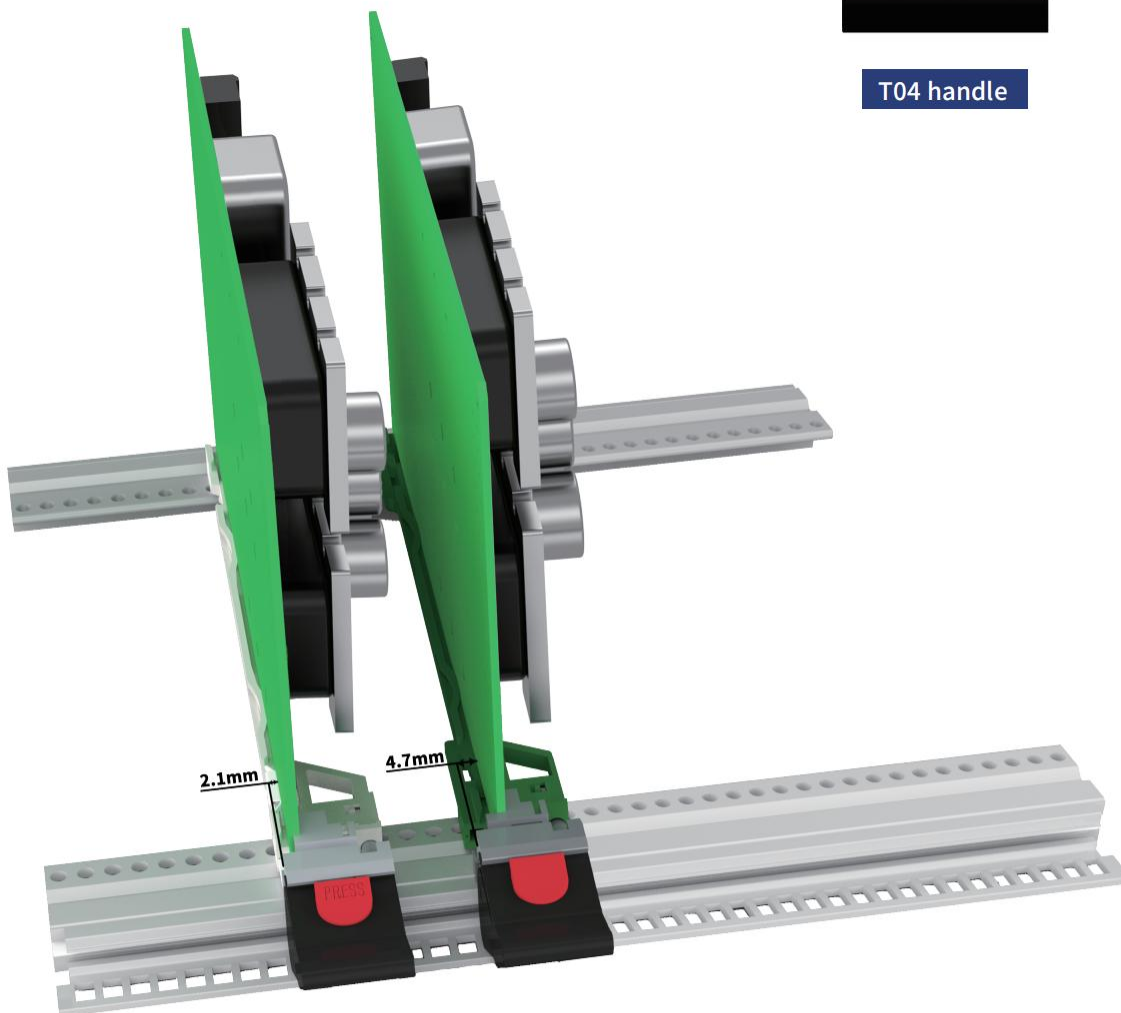
- Most PCB boards in the subracks are soldered with components on the right side, and components can also be soldered on the left side of the PCB board
- When welding the left component, if the left component is  $>2.1\text{mm}$  and  $<4.7\text{mm}$ , an offset handle and offset guide rail need to be used
- When using the offset handle and offset guide rail, it is necessary to modify the position of the connector on the backplane accordingly
- The I-type handle and F-type handle cannot be applied to solder components on the left side of the PCB board. Currently, only the T-type offset handle are applicable

- The following figure is a comparison of the handle, and the dimensions in the figure include 1.6mm of the PCB board



T04 handle

T04 offset handle



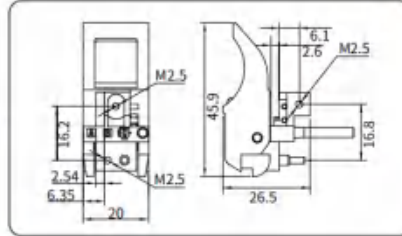
# Static handle specification



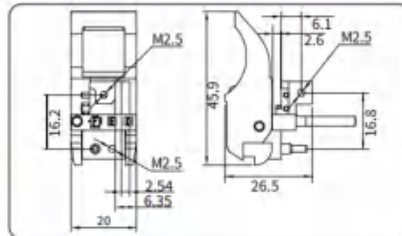
## Handle offset 0.1"



T06/T07 Offset Handle



T06/T07 Offset Handle



### Order information

Order no	Name	Model	Color	Colour code
1002030	Handle T06 Offset(Top)		Black handle+red button	RAL9011+RAL3031
1002031	Handle T06 Offset(Bottom)		Black handle+red button	RAL9011+RAL3031
1002406	Handle T06 Offset(Top)		Grey handle+red button	RAL7035+RAL3031
1002407	Handle T06 Offset(Bottom)		Grey handle+red button	RAL7035+RAL3031

Order no	Name	Model	Color	Colour code
1002384	Handle T07 Offset (Top)		Black handle+dark red button	RAL9011+RAL3007
1002385	Handle T07 Offset (Bottom)		Black handle+dark red button	RAL9011+RAL3007
1002408	Handle T07 Offset (Top)		Grey handle+dark red button	RAL7035+RAL3007
1002409	Handle T07 Offset (Bottom)		Grey handle+dark red button	RAL7035+RAL3007

### Product description

- Suitable for flat panel/U-shaped panel
- For PCB board insertion and extraction
- Use with front rail with square hole
- Optional micro switch for hot-swapping
- Codable to realize anti-insertion function
- Offset 2.54 to the right for power card panels
- Compliant with IEEE1101.10 standard

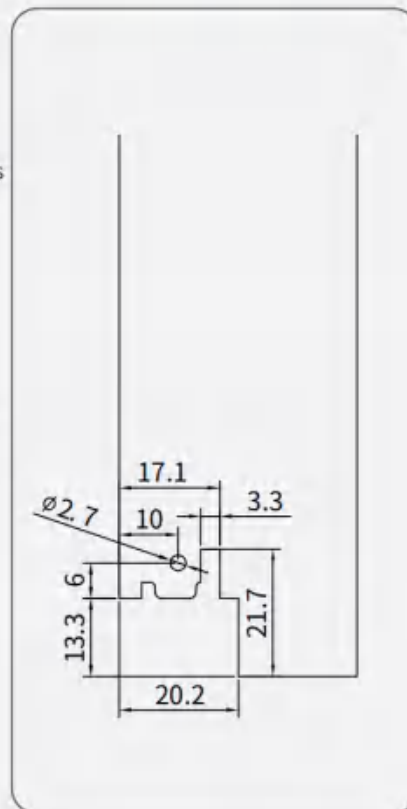
### Performance description

- High-temperature aging standard: GB/T7141-2008,,90°C, 6h
- Low temperature embrittlement standard: GB/T5470-2008, -55°C
- Fire retardant standard: UL94V-0, EN45545-2
- Fire resistance standard: EN 45545-2:2013+A1:2015(E)
- ROHS standard: 2011/65/EU

### Material and finish

- PC+20% GF; zinc alloy nickel plated
- PC+20% GF; zinc alloy nickel plated

### Cut-Size



### Schematic



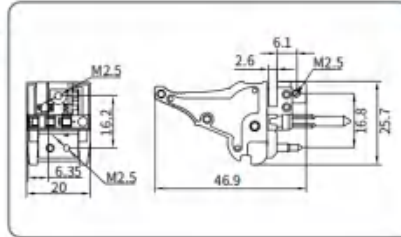
# Static handle specification



## Handle offset 0.1"



T08 Offset Handle

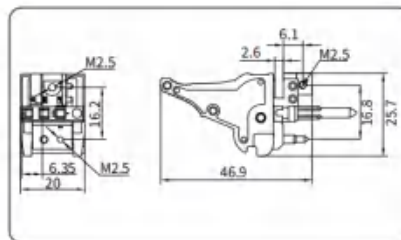


### Order information

Order no	Name	Model	Color	Colour code
1002396	Handle T08 Offset(Top)		Black handle+grey button	RAL9011+RAL7035
1002397	Handle T08 Offset(Bottom)		Black handle+grey button	RAL9011+RAL7035
1002394	Handle T08 Offset(Top)		Black handle+red button	RAL9011+RAL3031
1002395	Handle T08 Offset(Bottom)		Black handle+red button	RAL9011+RAL3031



T19 Offset Handle



Order no	Name	Model	color	Colour code
1002416	Handle T19 Offset(Top)		Grey handle+Black button	RAL7035+RAL9011
1002417	Handle T19 Offset(Bottom)		Grey handle+Black button	RAL7035+RAL9011

### Product description

- Suitable for flat panel/U-shaped panel
- For PCB board insertion and extraction
- Use with front rail with square hole
- Optional micro switch for hot-swapping
- Codable to realize anti-insertion function
- Offset 2.54 to the right for power card panels
- Compliant with IEEE1101.10 standard

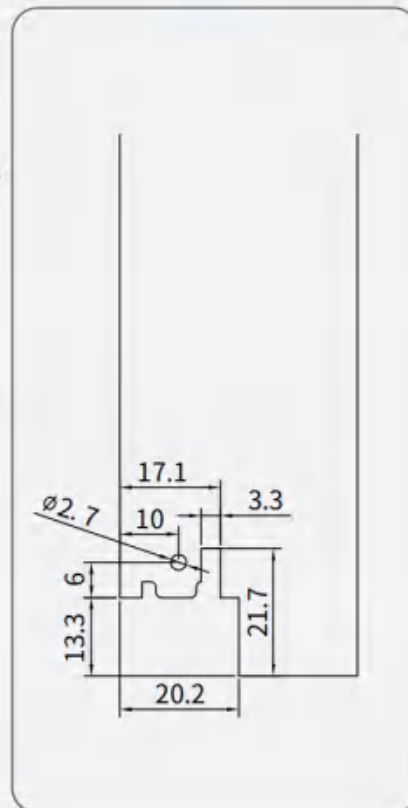
### Performance description

- High-temperature aging standard: GB/T7141-2008,,90°C, 6h
- Low temperature embrittlement standard: GB/T5470-2008, -55°C
- Fire retardant standard: UL94V-0, EN45545-2
- Fire resistance standard: EN 45545-2:2013+A1:2015(E)
- ROHS standard: 2011/65/EU

### Material and finish

- PC+20% GF; zinc alloy nickel plated
- PC+20% GF; zinc alloy nickel plated

### Cut-Size



### Schematic



EM&EG PRO Series Subracks  
 EK&MEG+PRO Series Subracks  
 BEK&BEG PRO Series Subracks  
 Handle specification and accessories  
 Guide rail specification and accessories  
 19" CUIR Series Subracks  
 SNCF Series Subracks  
 Shielded plug-in units Series Subracks  
 VERO Series Subracks  
 Protective Series Subracks  
 CASE Series Subracks  
 Type A Series Subracks  
 Rugged Subracks Edge panel  
 IN-S Series Subracks  
 Subracks Accessories  
 Panel component  
 Order no. and page table



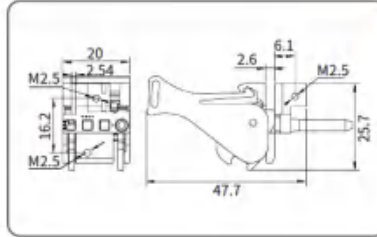
# Static handle specification



## Handle offset 0.1"



T47 Offset handle

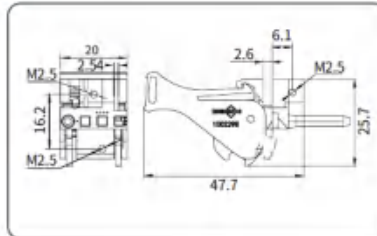


### Order information

Order no	Name	Model	Color	Colour code
1002329	Handle T47Offset (Top)		Yellow Handle	RGB (251,197,0)
1002330	Handle T47Offset (Bottom)		Yellow Handle	RGB (251,197,0)
1002333	Handle T47Offset (Top)		Green Handle	RGB (0,255,0)
1002334	Handle T47Offset (Bottom)		Green Handle	RGB (0,255,0)
1002337	Handle T47Offset (Top)		Blue Handle	RGB (35,41,108)
1002338	Handle T47Offset (Bottom)		Blue Handle	RGB (35,41,108)



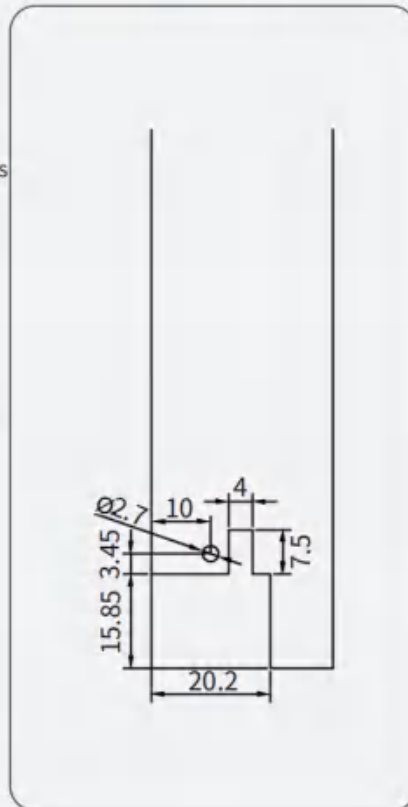
T47 Offset handle



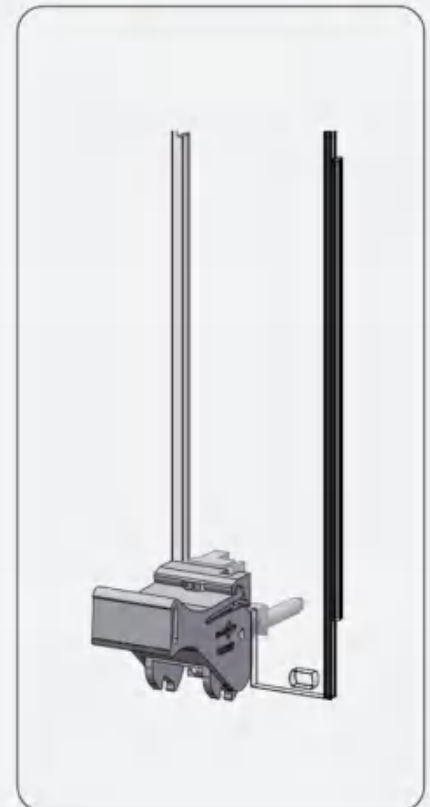
### Product description

- Suitable for flat panel/U-shaped panel
- For PCB board insertion and extraction
- Use with front rail with square hole
- Optional micro switch for hot-swapping
- Codable to realize anti-insertion function
- Offset 2.54 to the right for power card panels
- Compliant with IEEE1101.10 standard

### Cut-Size



### Schematic



### Performance description

- High-temperature aging standard: GB/T7141-2008, 90°C, 6h
- Low temperature embrittlement standard: GB/T5470-2008, -55°C
- Fire retardant standard: UL94V-0, EN45545-2
- Fire resistance standard: EN 45545-2:2013+A1:2015(E)
- ROHS standard: 2011/65/EU

### Material and finish

- PC+20% GF; zinc alloy nickel plated

## Handle



T11 Handle



T11 Handle

### Product description

- Suitable for flat panel/U-shaped panel
- For PCB board insertion and extraction
- Optional micro switch for hot-swapping
- Compliant with IEEE1101.10 standard
- There are two specifications: standard model and offset of 0.1 inch

### Performance description

- High-temperature aging standard: GB/T7141-2008,,90°C, 6h
- Low temperature embrittlement standard: GB/T5470-2008, -55°C
- Fire retardant standard: UL94V-0, EN45545-2
- Fire resistance standard: EN 45545-2:2013+A1:2015(E)
- ROHS standard: 2011/65/EU

### Material and finish

Plastic: PC+20% GF; zinc alloy nickel plated

### Order information

Order no	Name	Model	Color	Colour code
1002044	Handle	T11(Top)	Black handle+Grey button	RAL9011+RAL7035
1002045	Handle	T11(Bottom)	Black handle+Grey button	RAL9011+RAL7035
1002046	Handle	T11(Top)	Grey handle+Black button	RAL7035+RAL9011
1002047	Handle	T11(Bottom)	Grey handle+Black button	RAL7035+RAL9011
1002440	Offset Handle	T11(Top)	Grey handle+Black button	RAL7035+RAL9011
1002441	Offset Handle	T11(Bottom)	Grey handle+Black button	RAL7035+RAL9011
1002442	Offset Handle	T11(Top)	Black handle+Grey button	RAL9011+RAL7035
1002443	Offset Handle	T11(Bottom)	Black handle+Grey button	RAL9011+RAL7035

## Handle



T14 Handle



T10 Handle

### Product description

- Mostly used in telecom field
- For plugging and unplugging of high-density connectors
- Optional microswitch for hot-swapping
- For use with square-hole front rails
- Minimal space requirements through fold-up handle

### Performance description

- High-temperature aging standard: GB/T7141-2008,,90°C, 6h
- Low temperature embrittlement standard: GB/T5470-2008, -55°C
- Fire retardant standard: UL94V-0, EN45545-2
- Fire resistance standard: EN 45545-2:2013+A1:2015(E)
- ROHS standard: 2011/65/EU

### Material and finish

Zinc alloy nickel plated

### Order information

Order no	Name	Model	Color	Colour code
1002422	Handle	T14 (Top)	Natural color	-
1002423	Handle	T14 (Bottom)	Natural color	-

### Product description

- For flat panel/U-shaped panel
- For PCB board insertion and extraction
- Compliant with IEEE1101.10 standard

### Performance description

- High-temperature aging standard: GB/T7141-2008,,90°C, 6h
- Low temperature embrittlement standard: GB/T5470-2008, -55°C
- Fire retardant standard: UL94V-0, EN45545-2
- Fire resistance standard: EN 45545-2:2013+A1:2015(E)
- ROHS standard: 2011/65/EU

### Material and finish

Zinc alloy nickel plated

### Order information

Order no	Name	Model	Color	Colour code
1002042	Handle	T10 (Top)	Natural color	-
1002043	Handle	T10 (Bottom)	Natural color	-

EMEG PRO Series Subracks

EK-MEG+ PRO Series Subracks

HEMBEG PRO Series Subracks

Handle specification and accessories

Guided specification and accessories

19"CUR Series Subracks

SHCF Series Subracks

Shielded plug-in units Series Subracks

VERO Series Subracks

Protective Series Subracks

CASE Series Subracks

Type A Series Subracks

Rugged Subracks Side panel

HS Series Subracks

Subracks Accessories

Panel component

Order no. and page table



## Handle



T15 Handle



T16 Handle

### Product description

- For flat panel/U-shaped panel
- For PCB board insertion and extraction
- Compliant with IEEE1101.10 standard

### Performance description

- High-temperature aging standard: GB/T7141-2008,,90°C, 6h
- Low temperature embrittlement standard: GB/T5470-2008, -55°C
- Fire retardant standard: UL94V-0, EN45545-2
- Fire resistance standard: EN 45545-2:2013+A1:2015(E)
- ROHS standard: 2011/65/EU

### Material and finish

Plastic: PC+20% GF; zinc alloy nickel plated

### Order information

Order no	Name	Model	Color	Colour code
1002424	Handle	T15(Top)	Black	RAL9011
1002425	Handle	T15(Bottom)	Black	RAL9011
1002426	Handle	T15(Top)	Grey	RAL7035
1002427	Handle	T15(Bottom)	Grey	RAL7035

### Product description

- Suitable for flat panel/U-shaped panel
- For PCB board insertion and extraction
- Optional micro switch for hot-swapping
- Compliant with IEEE1101.10 standard

### Performance description

- High-temperature aging standard: GB/T7141-2008,,90°C, 6h
- Low temperature embrittlement standard: GB/T5470-2008, -55°C
- Fire retardant standard: UL94V-0, EN45545-2
- Fire resistance standard: EN 45545-2:2013+A1:2015(E)
- ROHS standard: 2011/65/EU

### Material and finish

Plastic: PC+20% GF; zinc alloy nickel plated

### Order information

Order no	Name	Model	Color	Colour code
1002432	Handle	T16(Top)	Black handle+Aluminum button	RAL9011+Natural color
1002433	Handle	T16(Bottom)	Black handle+Aluminum button	RAL9011+Natural color
1002434	Handle	T16(Top)	Grey handle+Aluminum button	RAL7035+Natural color
1002435	Handle	T16(Bottom)	Grey handle+Aluminum button	RAL7035+Natural color

## Handle Accessories



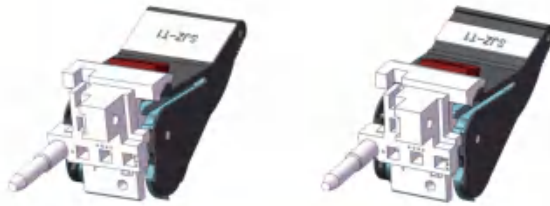
Label  
Label  
Label

### Handle Label

- Encoding and naming for the front panel
- Installed on the handle of the extractor, T-series extractor and I-series extractor
- Material: PVC
- Surface frosted or smooth surface
- Customers can customize coding and colors

### Delivery Comprises

Handle Note	Length mm	Width mm	Thickness mm	Pieces/Package
Type I Handle	20	12	0.5	20
T01/T02 Handle	20	6	0.5	20
T04 Handle	20	6	0.5	20
T04 Handle	20	11	0.5	20
T06/T07 Handle	20	11	0.5	20
T08/T19 Handle	20	5.3	0.5	20



Schematic diagram of T04 handle label



Schematic diagram of T01/T02 handle label

Schematic diagram of T08/T19 handle label

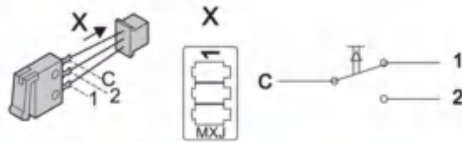
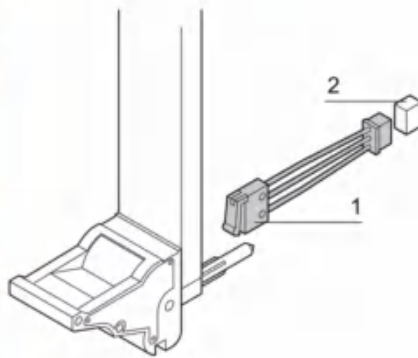


Schematic diagram of T06/T07 handle label

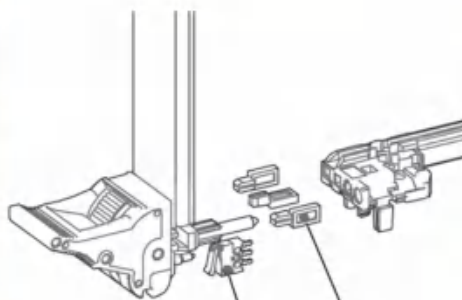


Schematic diagram of type I handle label

## Handle Accessories



Micro switch



Micro switch      Coding peg

Coding peg

### Micro switch

- For hot swapping, can be installed in F-type, T-type handle
- Handle fixing screw M2.5×6

### Order information

Description	Order no
Micro switch (Including microswitch and cable)	1031020

### Technical specification

Max.switched current	> =50mA
Operating temperature	-25~70°C
Mechanical life	> =50000 switching cycles
Electrical life	> =20000 switching cycles
Molex connector housing	51021-0300
Molex crimp contact	50058-8000

### Coding peg

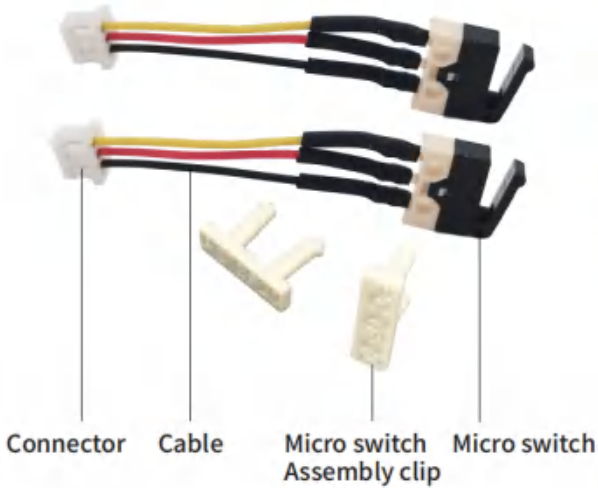
- The coding peg is mounted in the coding peg mounting hole of the extractor handle
- CompactPCI/VME64x applications

### Order information

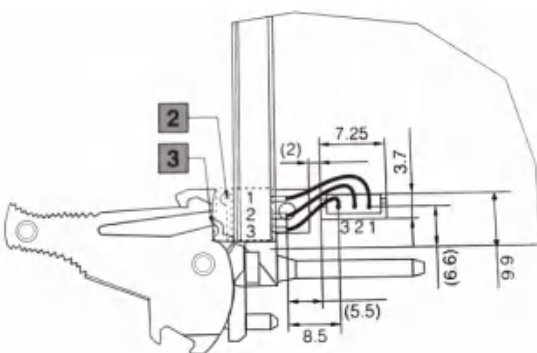
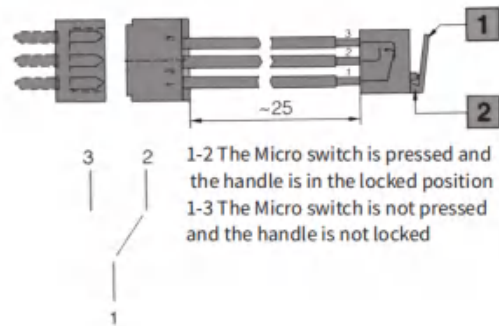
Description	Order no
Coding peg, PC,UL 94 V-0,Grey,RAL 7035	1009010
Coding peg, PC,UL 94 V-0,Red,RAL 3020	1009011



## Handle Accessories



- 1** The handle is not pressed
- 2** The handle hinges
- 3** The handle contact



### Micro switch

- For hot swapping
- Can be installed in F-type, T-type handle
- Micro switch fixing clips are only used in the T04 handle
- Material: PC+20%GF

### Delivery Comprises(kit)

Name	Qty	Description
Micro switch	1	For hot swapping
Micro switch assembly clip	1	Fix the micro switch on the handle
Cable	3	Cables connecting circuits
Connector	1	Connection circuit

### Order information

Order no	Name	Color	Colour code
1031020	Micro switch	Black	RAL9011
1031023	Micro switch assembly clip	Grey	RAL7032

EK&EG PRO Series Subracks

EK&EG+ PRO Series Subracks

BEN&BEG PRO Series Subracks

Handle specification and accessories

Guide rail specification and accessories

19" CR Series Subracks

SNCF Series Subracks

Shielded plug-in units Series Subracks

VERO Series Subracks

Protective Series Subracks

CASE Series Subracks

Type A Series Subracks

Rugged Subracks Side panel

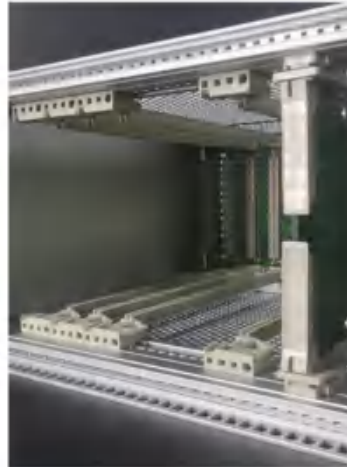
RN-5 Series Subracks

Subracks Accessories

Panel component

Order no. and page Table

## Printed board handle



### Product description

- Can be used to fix PCB boards without front panel
- Can be installed in the upper and lower rails of the subrack
- Can only be used with card holder and card guide, minimum distance between guides is 3HP
- Can be labeled or screen printed
- The bottom part can also be used separately as a fixed protection for plug-in cards

### Performance description

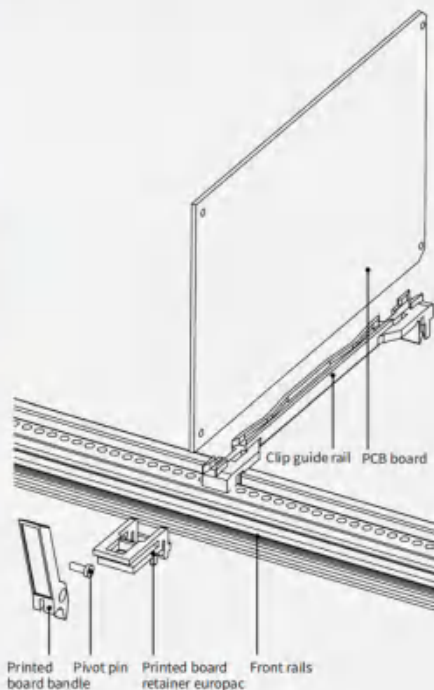
- High-temperature aging standard: GB/T7141-2008, 90°C, 6h
- Low temperature embrittlement standard: GB/T5470-2008, -55°C
- Fire retardant standard: UL94V-0, EN45545-2
- Fire resistance standard: EN 45545-2:2013+A1:2015(E)
- ROHS standard: 2011/65/EU

### Material and finish

- PC+20% GF

### Delivery Comprises(kit)

Name	3U Qty	6U Qty	Order no	Description
Printed board handle(Top)	/	1	1002249	Only use printed board handle in conjunction with printed board retainer, The front side can be silkscreened
Printed board handle(Bottom)	1	1	1002250	Only use printed board handle in conjunction with printed board retainer, The front side can be silkscreened
Pivot pin	1	2	/	Parts matched with printed board handle, PC+20%GF
Printed board retainer europac	2	2	1002309	Can also be used without printed board handle, RAL7032
Front rails	1	1	/	Used for installation of guide rail and fixing of front panel
Clip guide rail	2	2	1001045	Used for 1.6-2.0mm thick PCB board, 160mm
Clip guide rail	2	2	1001044	Used for 1.6-2.0mm thick PCB board, 220mm



## C-type handle combination component

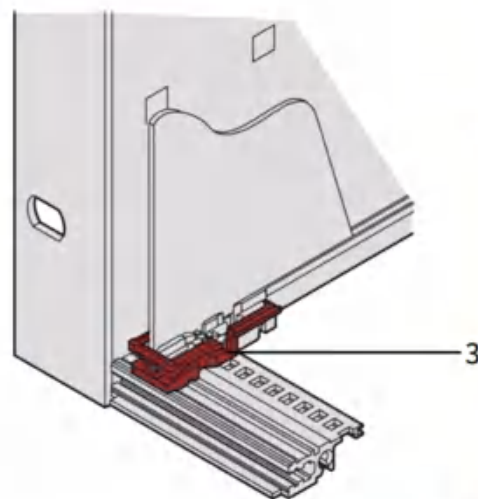
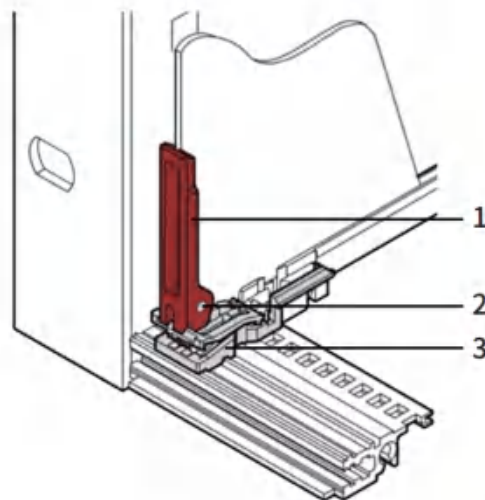
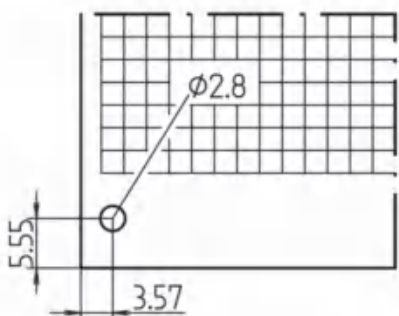
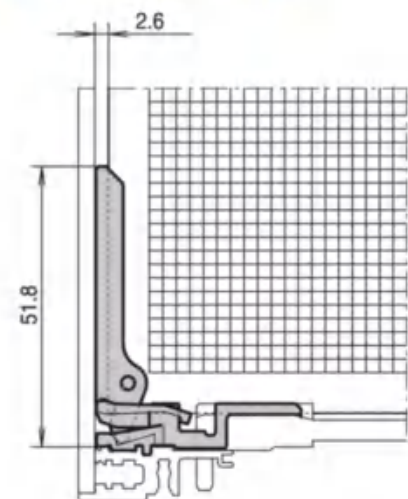
### Printed Circuit Board C-Handle Assembly

- Printed circuit board C-type handle, can only be used in conjunction with PCB holder C-type
- PCB holder C-type, can be used for fixing PCB boards without front panels
- PCB holder C-type, can be installed on the upper and lower crossbeams of the subracks
- The component is only used in conjunction with B-type short end guide rails and B-type reinforced guide rails
- Can be used for BEK series chassis and BEG series subracks

### Order information

Ltem	Name	Material	Color	Order no
1	Printed circuit board C-handle	PBTP,UL94V-0	Red	1002363
2	Printed circuit board C-handle fixing pin	PBTP,UL94V-0	Red	1002363-1
3	PCB holder C-type	PPO,UL94V-0	Red	1002362

### Installation dimensions



EMAEG PRO Series Subracks  
 EK-MEG PRO Series Subracks  
 BEK/BEG PRO Series Subracks  
 Handle specification and accessories  
 Guide rail specification and accessories  
 19" CLR Series Subracks  
 SHCF Series Subracks  
 Shielded plug-in units Series Subracks  
 VERO Series Subracks  
 Protective Series Subracks  
 CASE Series Subracks  
 Type A Series Subracks  
 Rugged Subracks Series Subracks  
 H-S Series Subracks  
 Subracks Accessories  
 Panel component  
 Order no. and page table