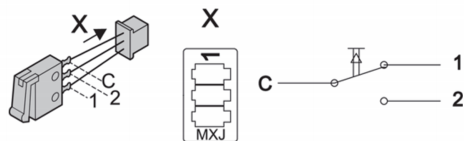
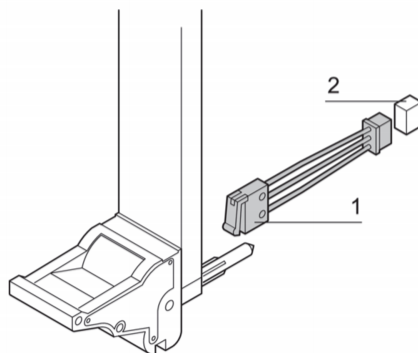
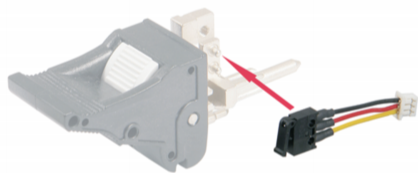
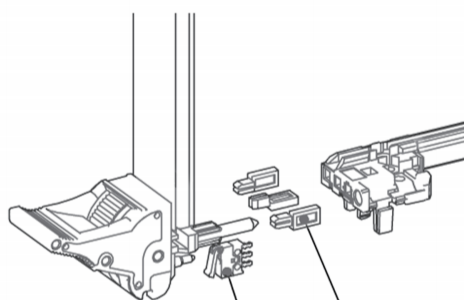


Handle Accessories



Micro switch



Micro switch Coding peg

Coding peg

Micro switch

- For hot swapping, can be installed in F-type, T-type handle
- Handle fixing screw M2.5×6

Order information

Description	Order no
Micro switch (Including microswitch and cable)	1031020

Technical specification

Max.switched current	> =50mA
Operating temperature	-25~70℃
Mechanical life	> =50000 switching cycles
Electrical life	> =20000 switching cycles
Molex connector housing	51021-0300
Molex crimp contact	50058-8000

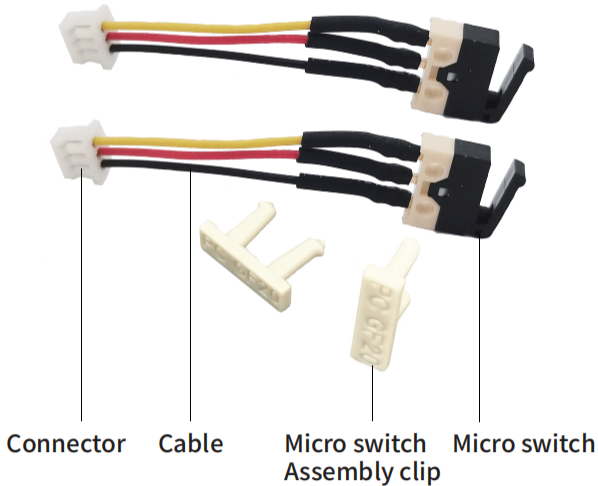
Coding peg

- The coding peg is mounted in the coding peg mounting hole of the extractor handle
- CompactPCI/VME64x applications

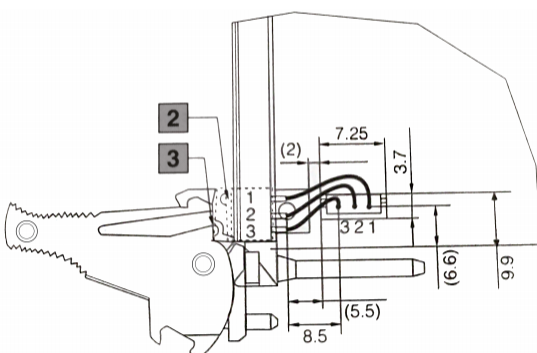
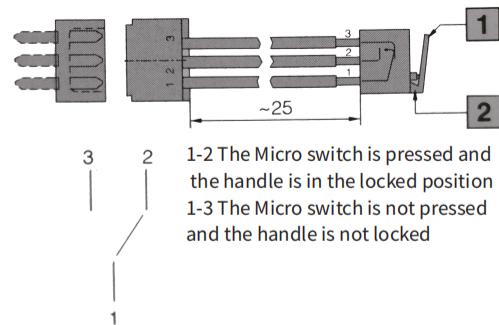
Order information

Description	Order no
Coding peg, PC,UL 94 V-0,Grey,RAL 7035	1009010
Coding peg, PC,UL 94 V-0,Red,RAL 3020	1009011

Handle Accessories



- 1** The handle is not pressed
- 2** The handle hinges
- 3** The handle contact



Micro switch

- For hot swapping
- Can be installed in F-type, T-type handle
- Micro switch fixing clips are only used in the T04 handle
- Material: PC+20%GF

Delivery Comprises(kit)

Name	Qty	Description
Micro switch	1	For hot swapping
Micro switch assembly clip	1	Fix the micro switch on the handle
Cable	3	Cables connecting circuits
Connector	1	Connection circuit

Order information

Order no	Name	Color	Colour code
1031020	Micro switch	Black	RAL9011
1031023	Micro switch assembly clip	Grey	RAL7032

EK&EG PRO Series Subracks
EK&EG+PRO Series Subracks
BEG&BEG PRO Series Subracks
Handle specification and accessories
Guide-rail specification and accessories
19" CUR Series Subracks
SNCF Series Subracks
Shielded plug-in units Series Subracks
VERO Series Subracks
Protective Series Subracks
CASE Series Subracks
Type A Series Subracks
Rugged Subracks Side panel
IN-S Series Subracks
Subracks Accessories
Panel component
Order no. and page Table